

GEZE

Powerdrive PL-HT

Hermetic sliding door
system

EN Installation instructions

142030-02

GEZE

Table of contents


1	General information	3
1.1	Key to symbols.....	3
1.2	Product liability	3
2	Safety	4
2.1	Intended use.....	4
2.2	Safety instructions	4
2.3	Information for safety-conscious working.....	5
2.4	Inspection of the installed system	5
2.5	Environmentally conscious working.....	5
3	Overview.....	6
3.1	Diagrams.....	6
4	Installation.....	7
5	Commissioning.....	17
6	Maintenance.....	21
6.1	Maintenance intervals	21
6.2	Additional maintenance work	21

1 General information



1.1 Key to symbols

In these instructions warnings are used to warn against material damage.

▶ Always read and observe these warnings!

Warning symbol	Warning word	Meaning
	WARNING	Danger for individuals. Non-compliance can result in death or serious injuries.

Important information and technical notes are highlighted to explain the correct operation.

Symbol	Meaning
	Means "important note"
	Means "additional information"
▶	Symbol for an action: Here you have to do something. If there are several actions to be taken, keep to the given order.

1.2 Product liability

In accordance with the manufacturer's liability for their products as defined in the German "Produkthaftungsgesetz" (Product Liability Act), the information contained in this brochure (product information and proper use, misuse, product performance, product maintenance, obligations to provide information and instructions) is to be noted and followed. Failure to comply releases the manufacturer from his statutory liability.

2 Safety

2.1 Intended use

The Powerdrive PL-HT is an automatic sliding door system with sealing door leaves in the closed position. The Powerdrive PL-HT is designed solely for use

- In dry rooms,
- In automatic door systems for horizontally moving door leaves,
- In entrance and interior areas of pedestrian traffic,
- In commercial plants and public areas.

The Powerdrive PL-HT may not be used as

- An escape and rescue route door
- A fire or smoke proof door

2.2 Safety instructions

- The mandatory installation, maintenance and repair work must be performed by properly trained personnel authorised by GEZE.
- Components made of stainless steel may not be subjected to high temperatures during working. Discolourations occur at high temperatures in stainless steel. These are permanent and cannot be removed.
- The country-specific laws and regulations are to be observed during safety-related tests.
- GEZE is not liable for any injuries or damage whatsoever resulting from unauthorised changes to the system.
- GEZE is not liable if products from other manufacturers are used with GEZE equipment.
- Furthermore, only original GEZE parts may be used for repair and maintenance work.
- The connection to the power supply must be made by a professional electrician. Perform the power connection and equipment earth conductor test in accordance with VDE 0100 Part 610.
- Use a customer-accessible 10-A overload cut-out as the line-side disconnecting device.
- In accordance with Machinery Directive 2006/42/EC and DIN 18650, before commissioning the door, a safety analysis (risk assessment) must be performed and the door system must be labelled in accordance with CE Marking Directive 98/68/EEC.
- Observe the latest versions of guidelines, standards and country-specific regulations, in particular:
 - ASR A1.7 "Guidelines for power-operated windows, doors and gates"
 - DIN 18650 "Building hardware – Automatic door systems"
 - VDE 0100, Part 610 "Installing Electrical Power Systems with Nominal Voltages up to 1000 V"
 - DIN EN 60335-2-103 "Safety of electrical devices for home use and similar purposes; special requirements for drives, for gates, doors and windows"
 - Accident-prevention regulations, especially DGUV regulation 1 "Principles of prevention" and DGUV regulation 3 "Electrical installations and equipment"

2.3 Information for safety-conscious working

- Secure workplace against unauthorised entry.
- Watch swivelling range of long system parts.
- Never carry out work with a high safety risk (e.g. installing the drive, cover or door leaf) while alone.
- Secure the hood/drive panels against falling.
- Use only cables prescribed in the cable plan provided. Lay shields in accordance with the wiring diagram.
- Secure loose, internal drive cables with cable ties.
- Before working on the electrical system:
 - Disconnect the drive from the 230 V mains network and check to ensure that it is not supplied with power
 - Disconnect the controller from the 24 V battery
 - Note that if an uninterruptible power supply (UPS) is used, the system will still be supplied with power despite the fact that the power supply is disconnected.
- Always use insulated wire-end ferrules for wire cores.
- Danger of injury with opened drive. Hair, clothing, cables, etc. can be drawn in by rotating parts!
- Danger of injury through unsecured crushing, impact, drawing-in or shearing spots!
- Danger of injury due to broken glass!
- Danger of injury due to sharp edges in the drive!
- Danger of injury during installation through freely moving parts!

2.4 Inspection of the installed system

- Check the function of the safety and actuation sensors.
- Check protective earth connection to all metal parts that can be touched.
- Perform a safety analysis (risk analysis).

2.5 Environmentally conscious working

- When disposing of the door system, separate the different materials and have them recycled.
- Do not dispose of batteries and storage cells with household waste.
- Comply with the statutory regulations when disposing of the door system and the batteries/rechargeable batteries.

3 Overview

3.1 Diagrams

Number	Designation
70722-9-0950	PL-HT installation instructions
160924	Wiring diagram
164883	Wiring diagram supplement
168222	User manual
134358	Safety analysis
108104	Errors and corrective measures



The diagrams are subject to change without notice. Use only the most recent version.

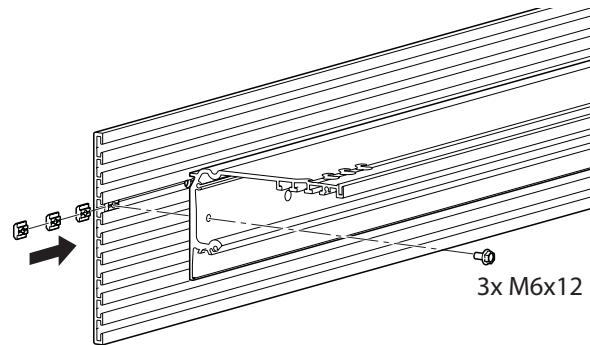
4 Installation



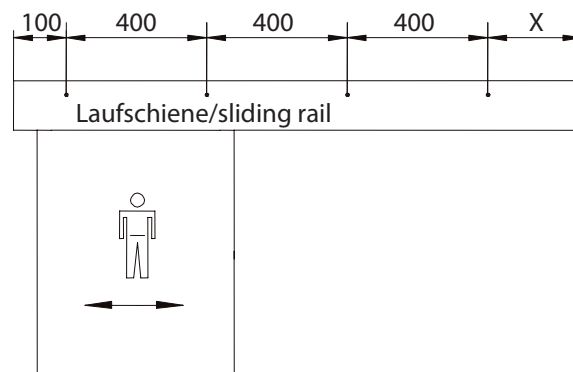
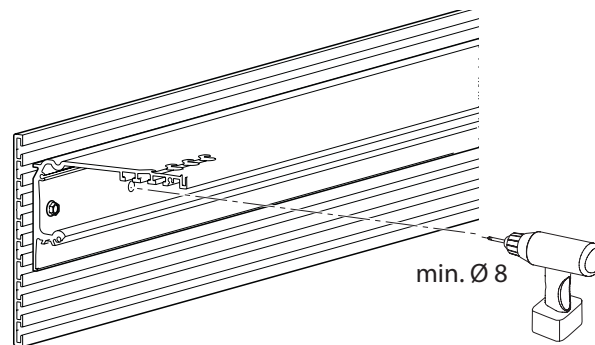
Check the preparations by the customer on site:

- Type and load bearing capacity of the façade construction or base construction
- Evenness of the installation surface
- Levelness of the floor in the passage area: ± 1 mm height difference / m

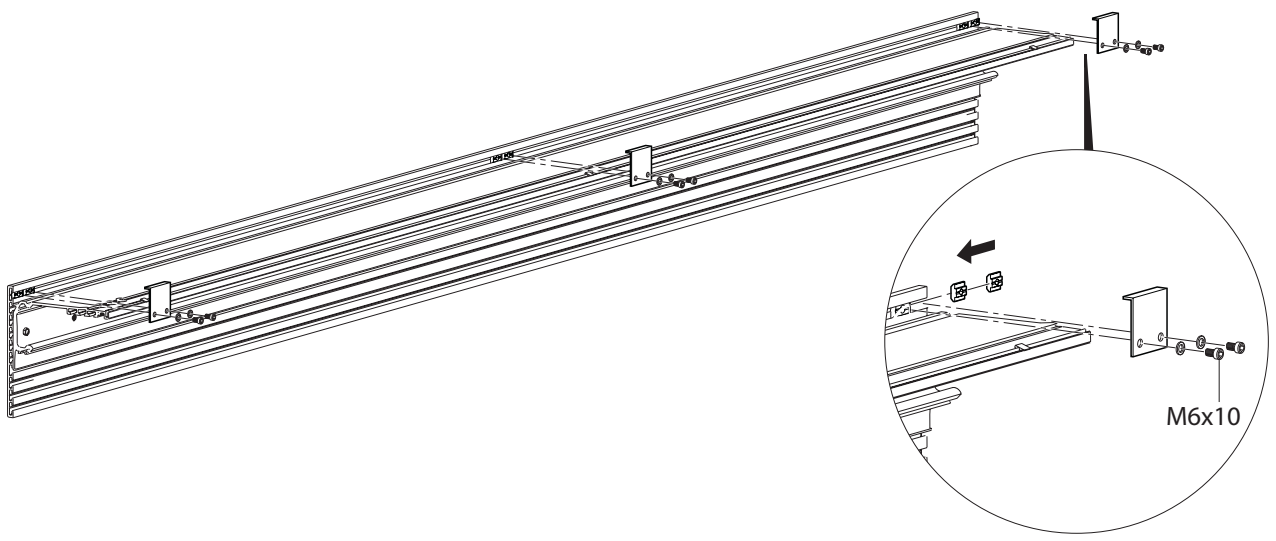
1



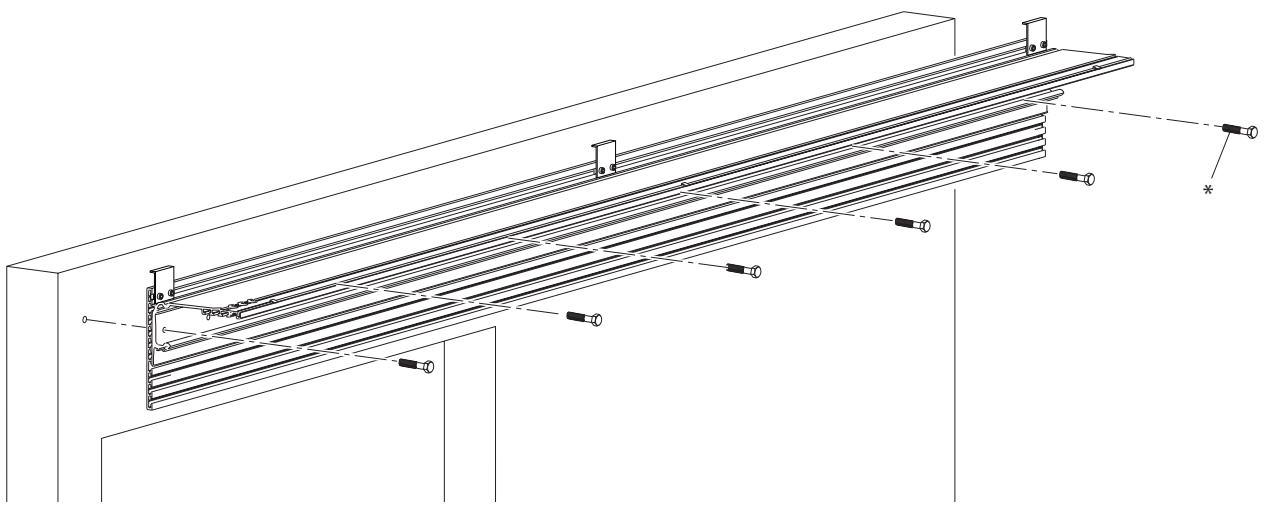
2



3

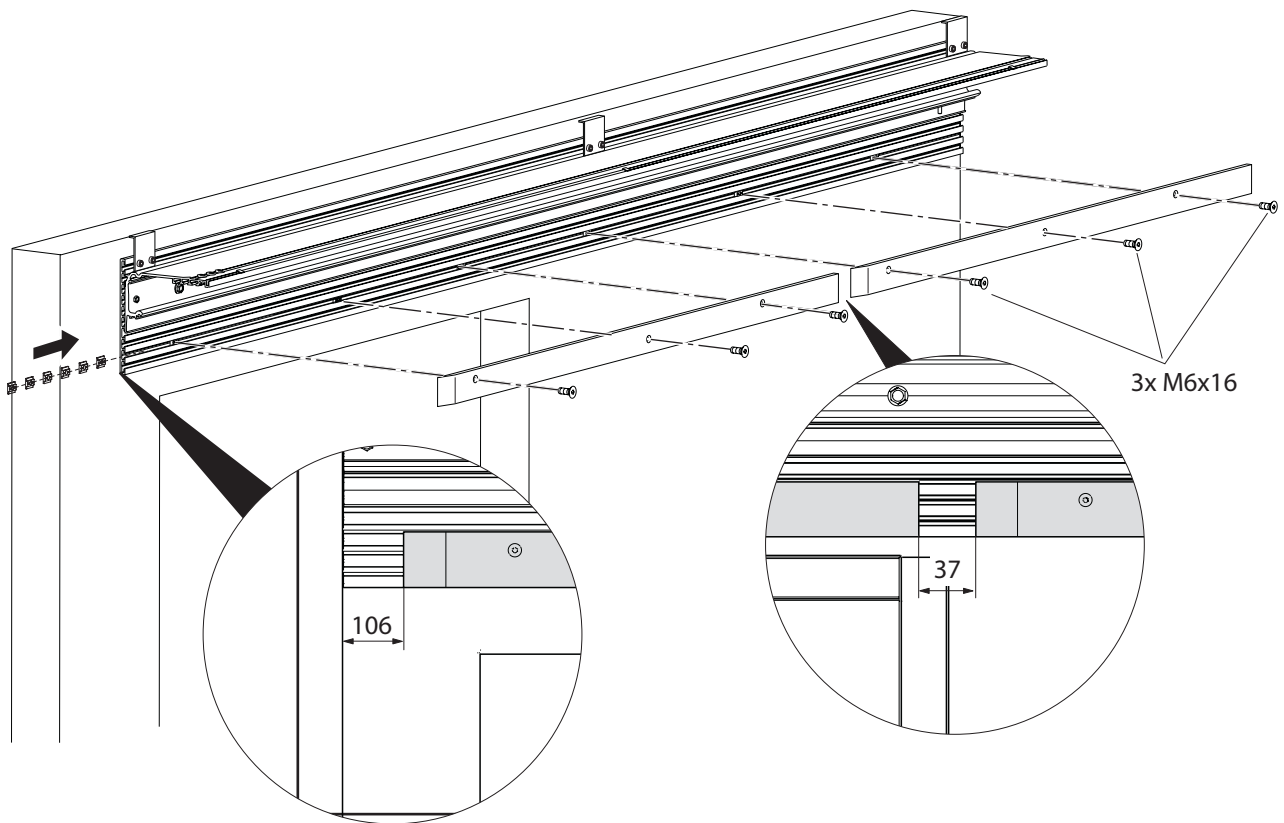


4

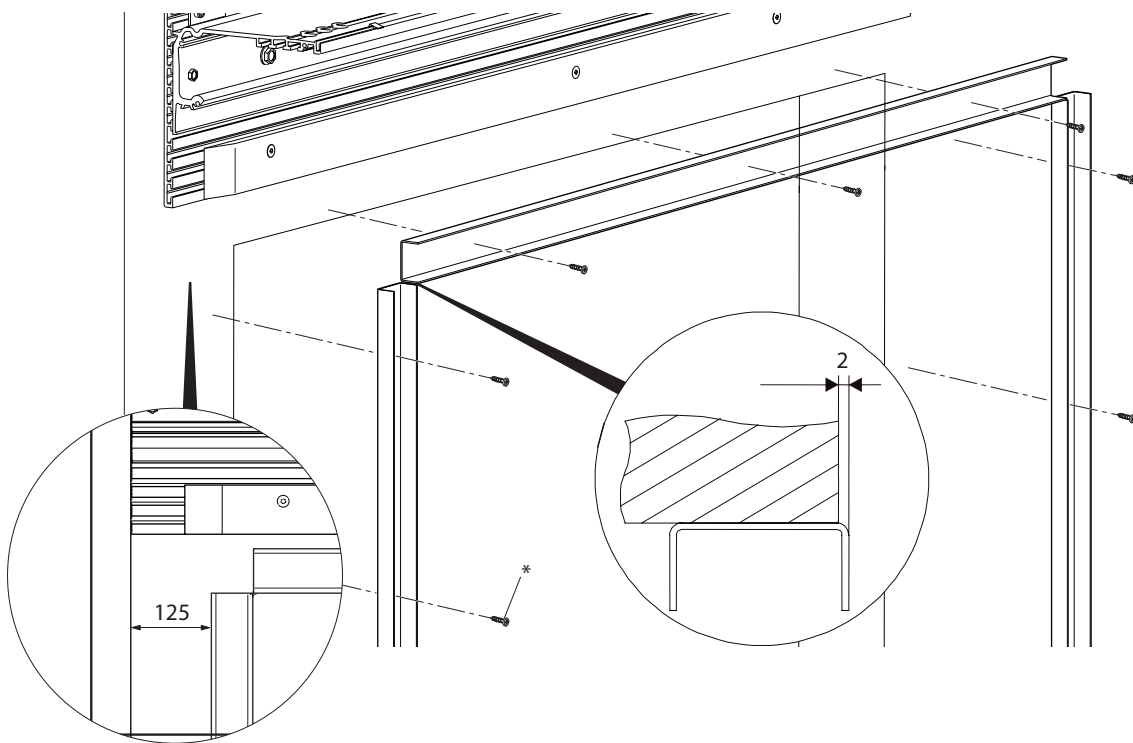


*) Not GEZE scope of delivery

5

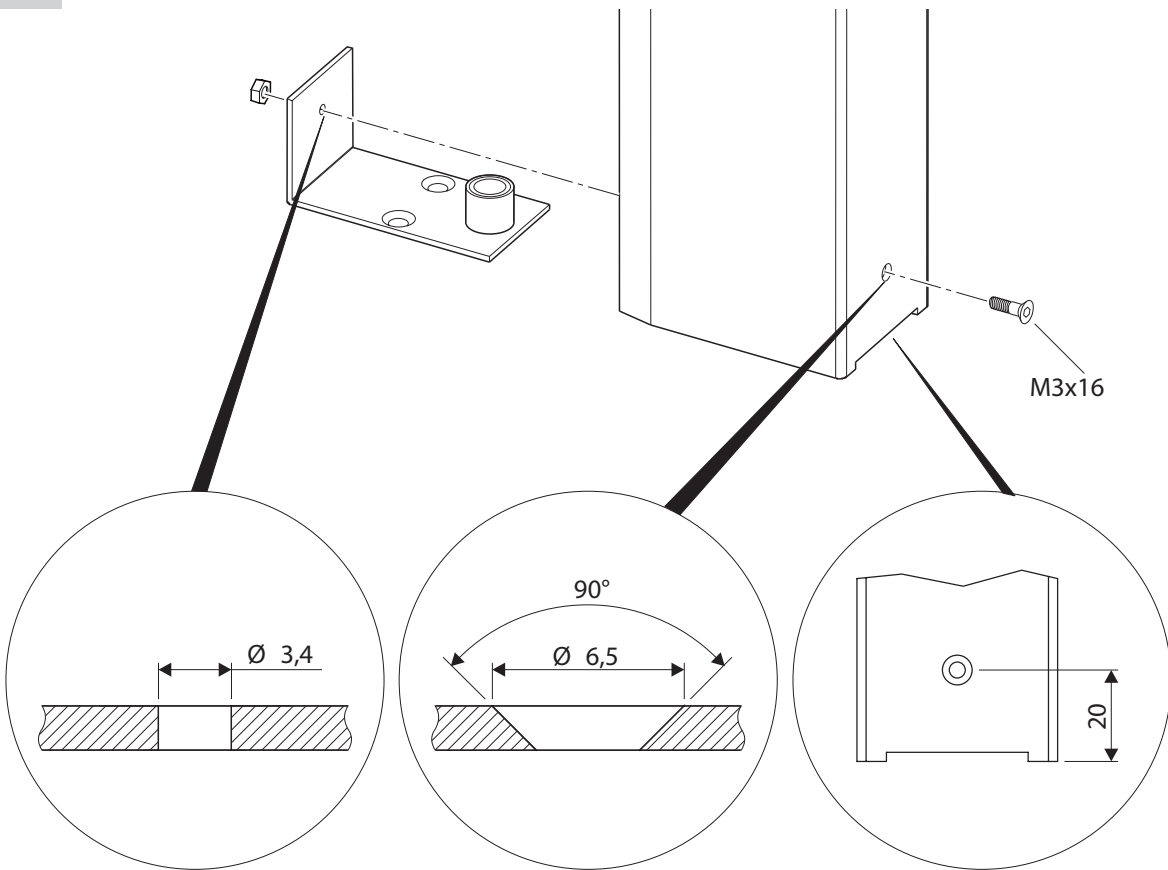


6

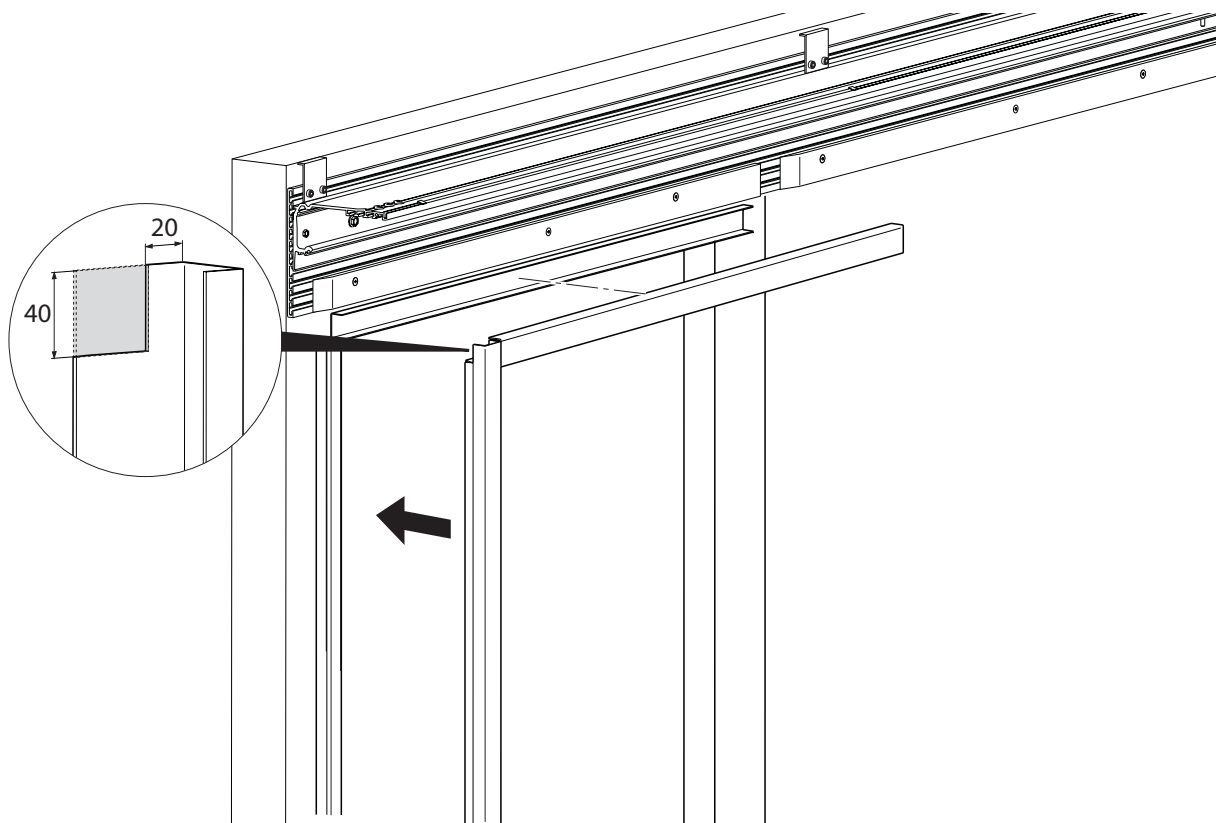


*) Not GEZE scope of delivery

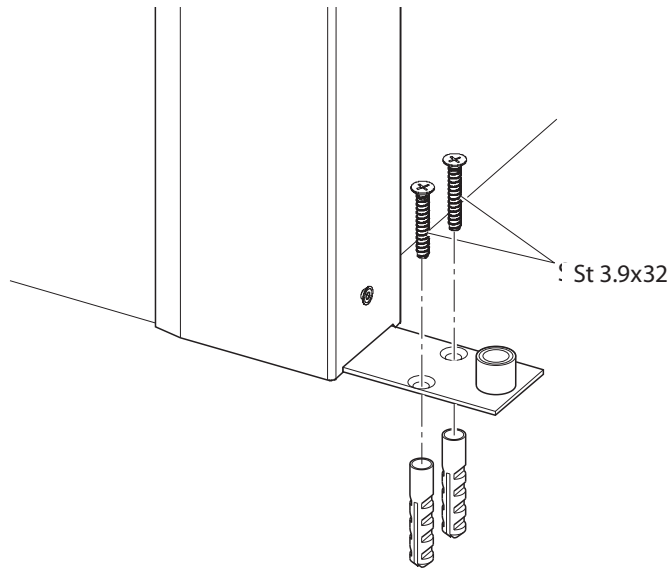
7



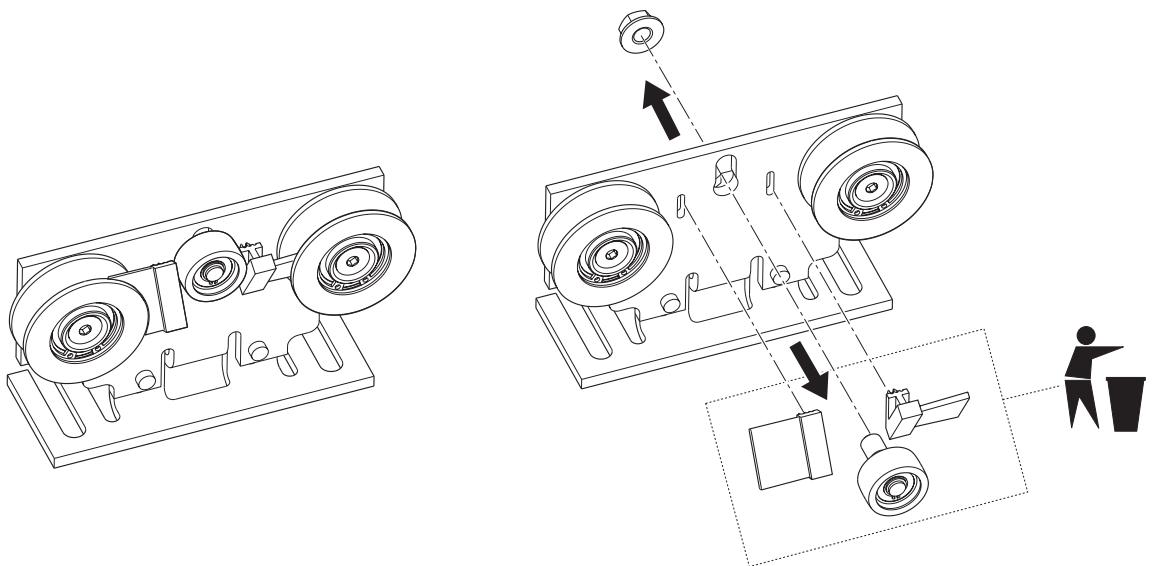
8



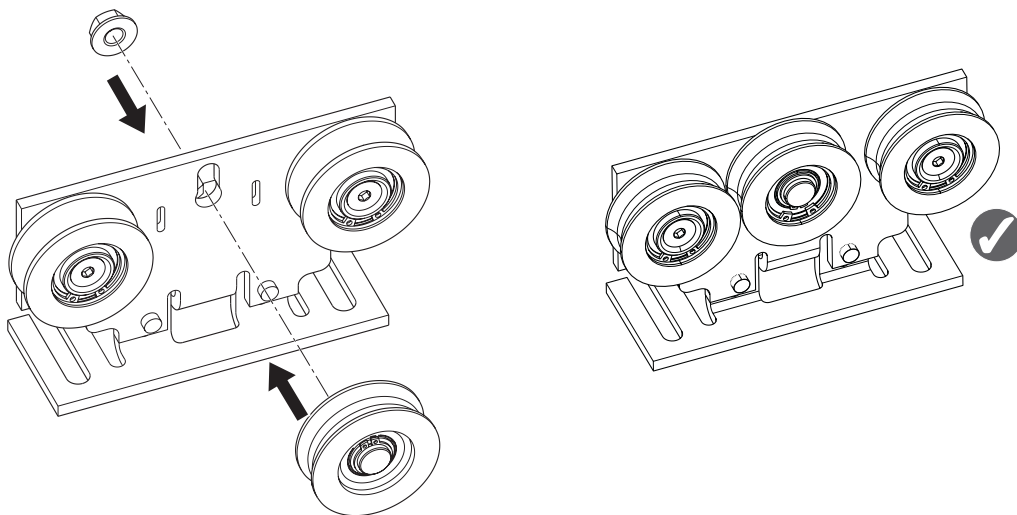
9



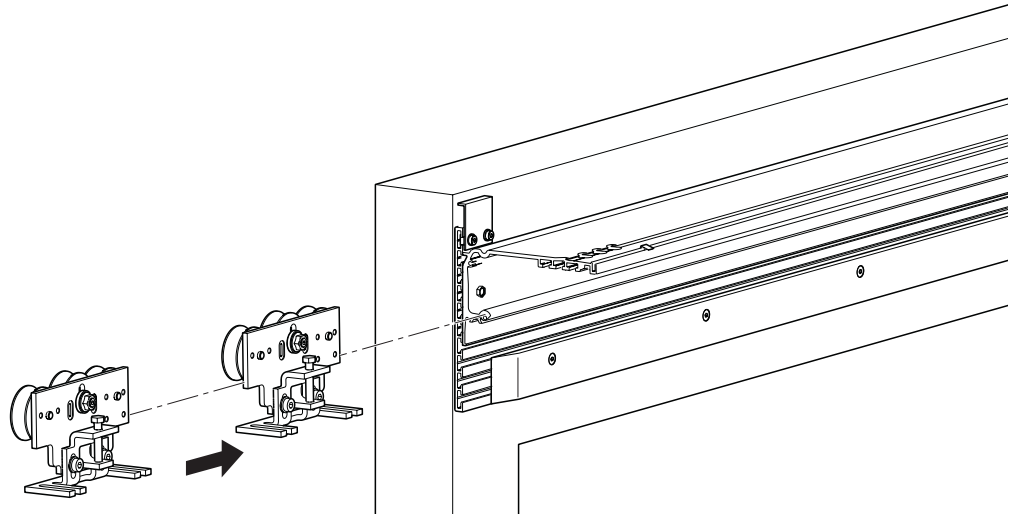
10



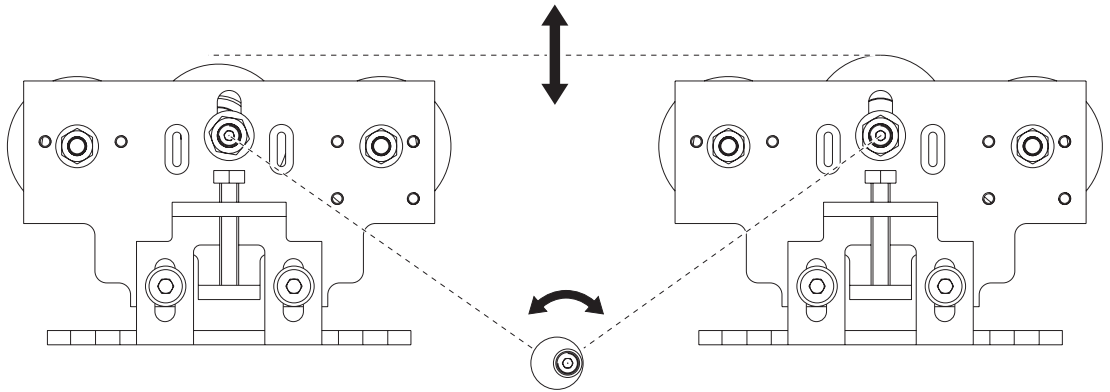
11



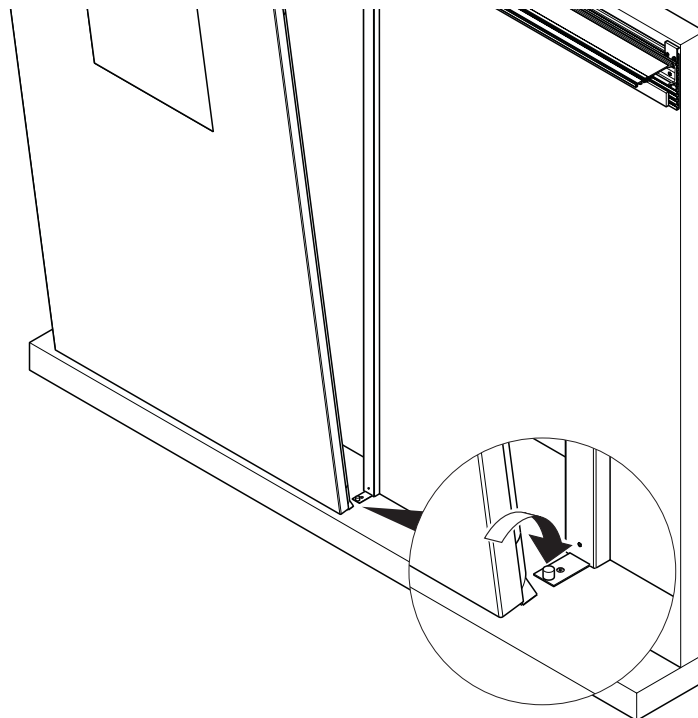
12



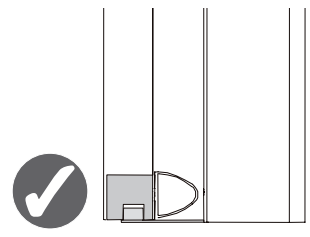
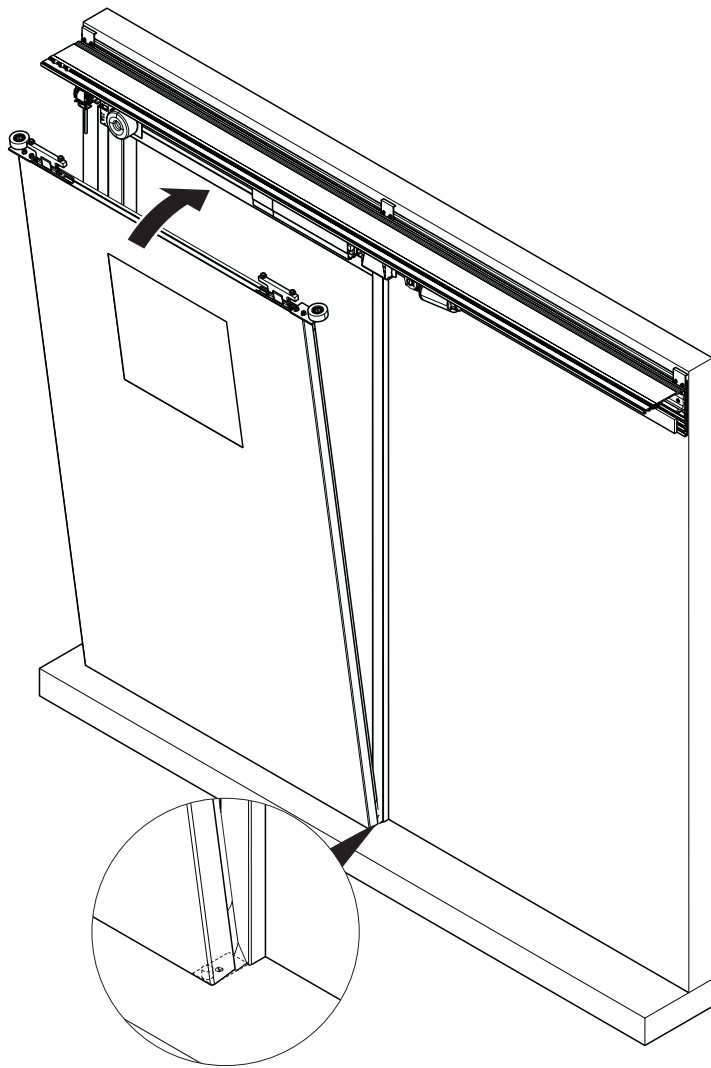
13



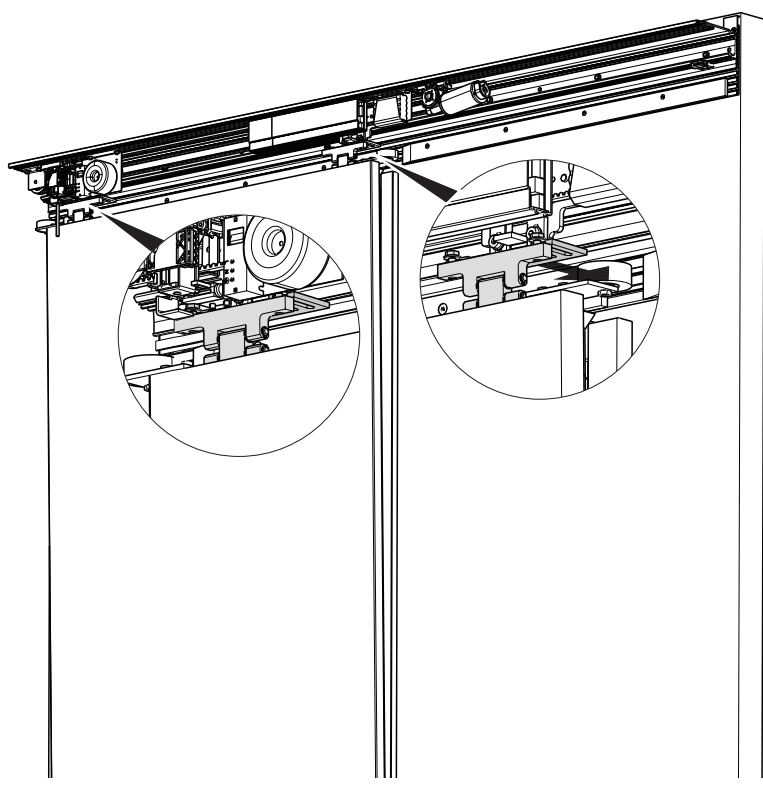
14



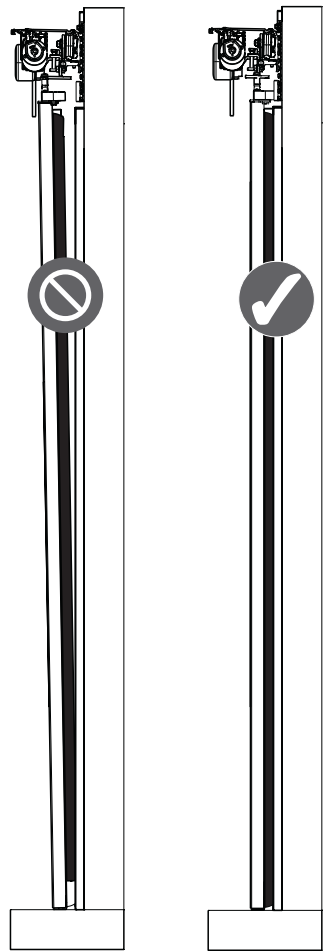
15



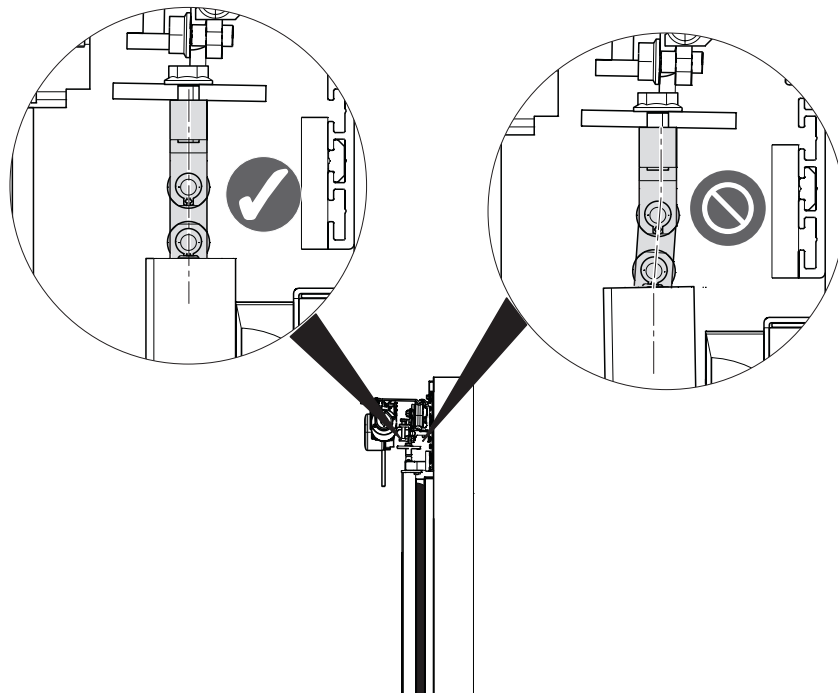
16



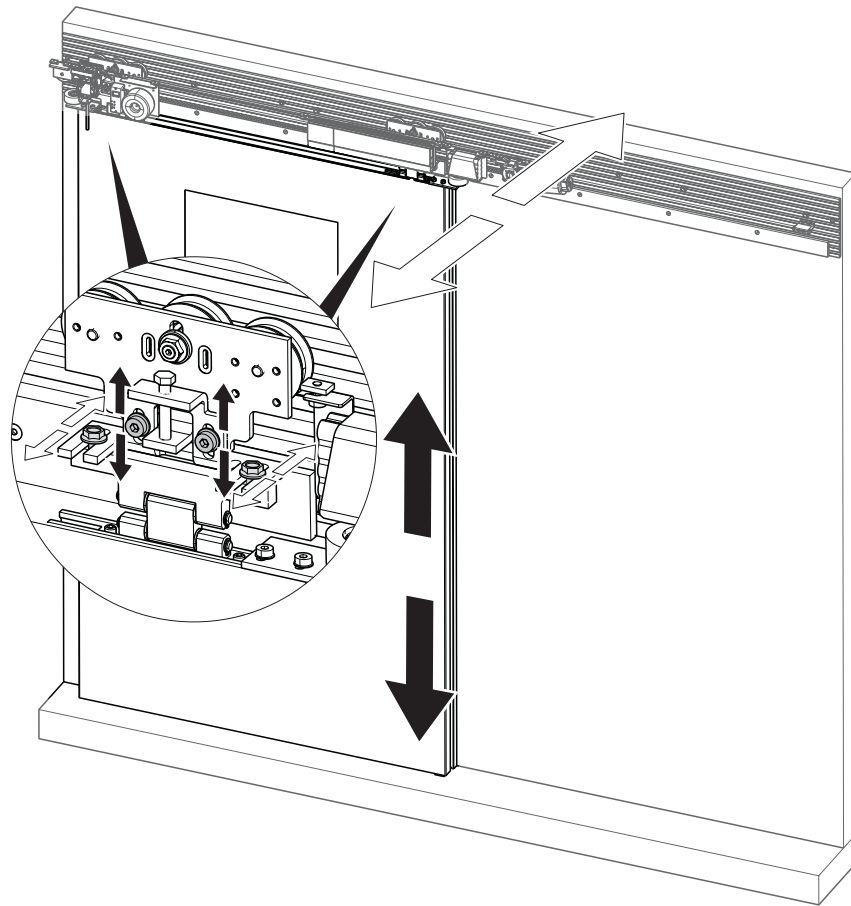
17



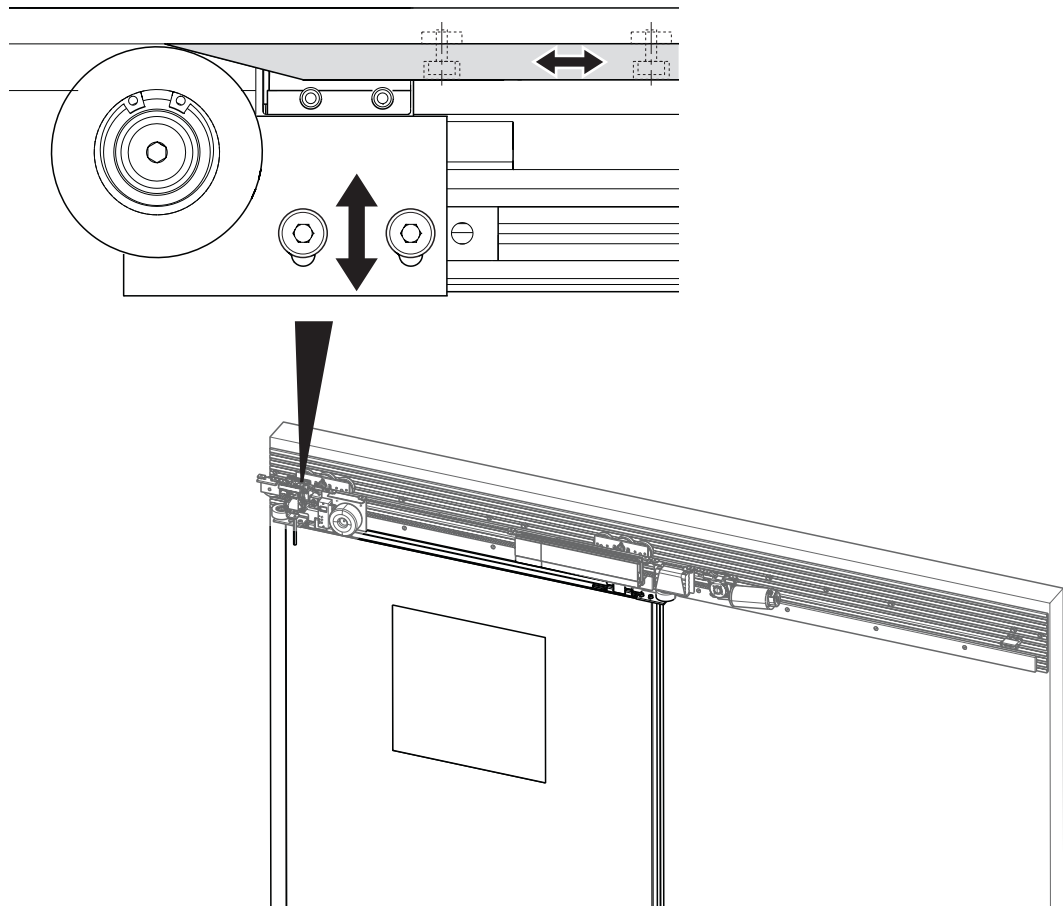
18



19



20



- ▶ Install and connect all the drive components (see installation instructions Powerdrive PL/PI-FR).
- ▶ Connect all the existing operating (e.g. programme switches, etc.), triggering (e.g. movement detectors, etc.) and safety elements (e.g. light curtains, etc.) (see wiring diagram).
- ▶ Install the accessories.
- ▶ Connect the battery to the controller.

-
- ! Soiling in the track results in inferior moving performance of the door, higher noise development and reduces the service life of the carrier rollers.
 - ▶ Clean the track after mounting.
-

5 Commissioning



A display programme switch DPS has to be connected to the controller for the commissioning process.

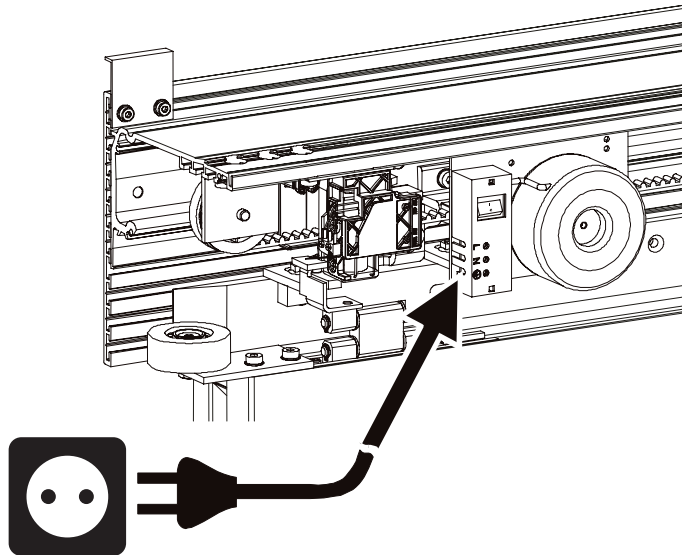


WARNING!

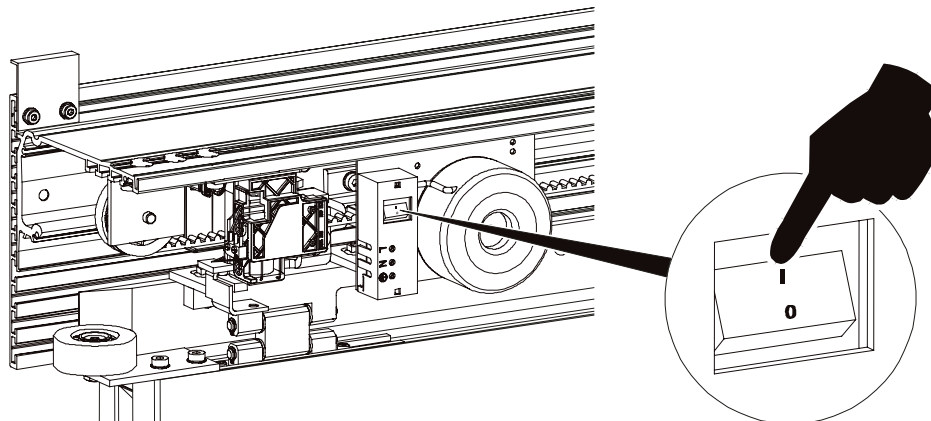
DANGER OF FATAL INJURY DUE TO ELECTRIC SHOCK!

- ▶ Get a qualified electrician to connect and disconnect the electrical system (230 V).
- ▶ Perform the power connection and equipment earth conductor test in accordance with VDE 0100 Part 610.

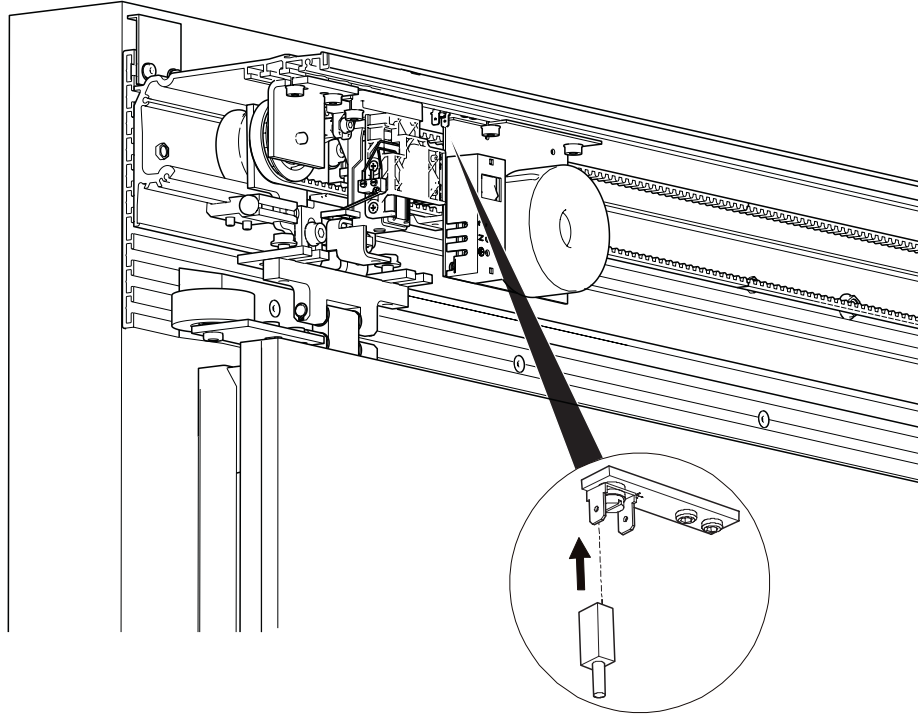
1



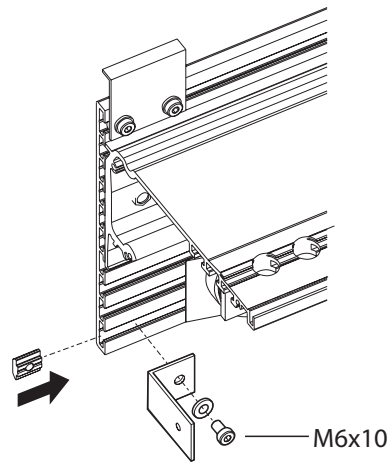
2



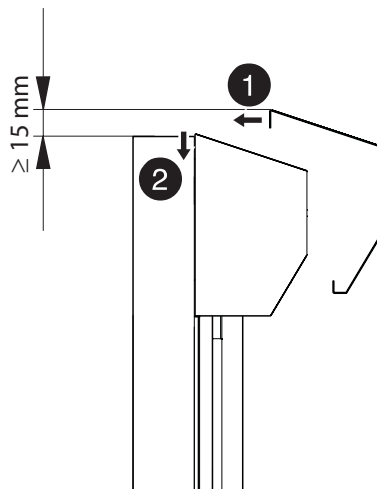
3



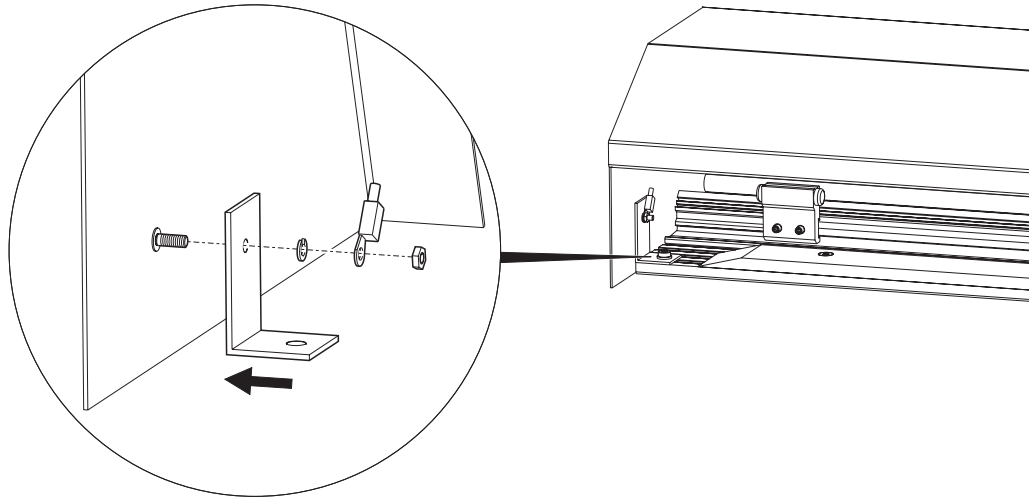
4



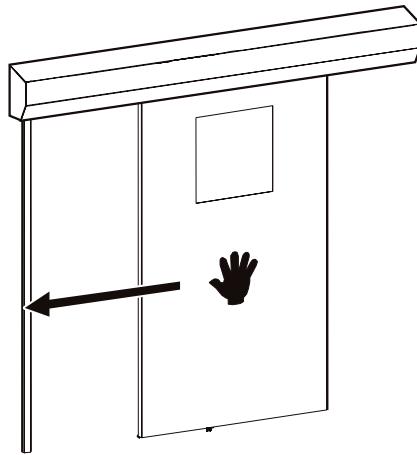
5



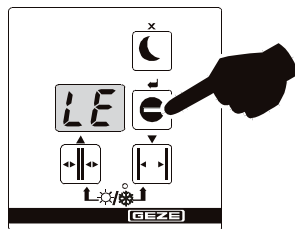
6



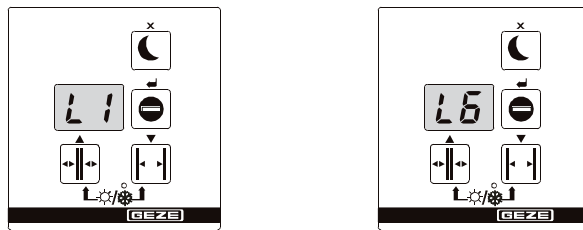
7



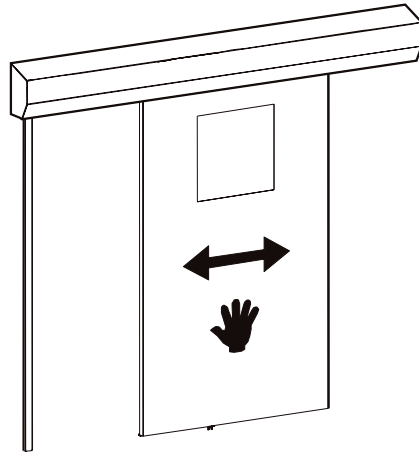
8



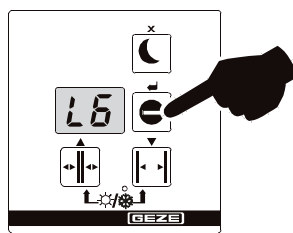
9



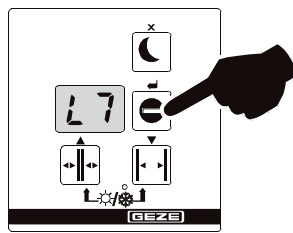
10



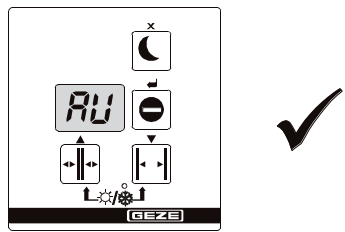
11



12



13



6 Maintenance

i The general maintenance work for sliding door systems is described in the user manual. This chapter describes supplementary maintenance work for the Powerdrive PL-HT.

6.1 Maintenance intervals

! The owner must ensure that the system functions properly. In order to ensure faultless operation, the door system has to be maintained by a service technician when the maintenance indicator lights up.

Door system	Calendar period	Opening cycles
Powerdrive PL-HT	1 year	500 000

6.2 Additional maintenance work

Test spot	Action	Comments
Seal on the door leaf	▶ Check for wear	Replace if necessary
Floor guide	▶ Check for wear	Replace if necessary

Germany
GEZE GmbH
Niederlassung Süd-West
Tel. +49 (0) 7152 203 594
E-Mail: leonberg.de@geze.com

GEZE GmbH
Niederlassung Süd-Ost
Tel. +49 (0) 7152 203 6440
E-Mail: muenchen.de@geze.com

GEZE GmbH
Niederlassung Ost
Tel. +49 (0) 7152 203 6840
E-Mail: berlin.de@geze.com

GEZE GmbH
Niederlassung Mitte/Luxemburg
Tel. +49 (0) 7152 203 6888
E-Mail: frankfurt.de@geze.com

GEZE GmbH
Niederlassung West
Tel. +49 (0) 7152 203 6770
E-Mail: duesseldorf.de@geze.com

GEZE GmbH
Niederlassung Nord
Tel. +49 (0) 7152 203 6600
E-Mail: hamburg.de@geze.com

GEZE Service GmbH
Tel. +49 (0) 1802 923392
E-Mail: service-info.de@geze.com

Austria
GEZE Austria
E-Mail: austria.at@geze.com
www.geze.at

Baltic States
GEZE GmbH Baltic States office
E-Mail: office-latvia@geze.com
www.geze.com

Benelux
GEZE Benelux B.V.
E-Mail: benelux.nl@geze.com
www.geze.be
www.geze.nl

Bulgaria
GEZE Bulgaria - Trade
E-Mail: office-bulgaria@geze.com
www.geze.bg

China
GEZE Industries (Tianjin) Co., Ltd.
E-Mail: chinasales@geze.com.cn
www.geze.com.cn

GEZE Industries (Tianjin) Co., Ltd.
Branch Office Shanghai
E-Mail: chinasales@geze.com.cn
www.geze.com.cn

GEZE Industries (Tianjin) Co., Ltd.
Branch Office Guangzhou
E-Mail: chinasales@geze.com.cn
www.geze.com.cn

GEZE Industries (Tianjin) Co., Ltd.
Branch Office Beijing
E-Mail: chinasales@geze.com.cn
www.geze.com.cn

France
GEZE France S.A.R.L.
E-Mail: france.fr@geze.com
www.geze.fr

Hungary
GEZE Hungary Kft.
E-Mail: office-hungary@geze.com
www.geze.hu

Iberia
GEZE Iberia S.R.L.
E-Mail: info@geze.es
www.geze.es

India
GEZE India Private Ltd.
E-Mail: office-india@geze.com
www.geze.in

Italy
GEZE Italia S.r.l
E-Mail: italia.it@geze.com
www.geze.it

GEZE Engineering Roma S.r.l
E-Mail: roma@geze.biz
www.geze.it

Poland
GEZE Polska Sp.z o.o.
E-Mail: geze.pl@geze.com
www.geze.pl

Romania
GEZE Romania S.R.L.
E-Mail: office-romania@geze.com
www.geze.ro

Russia
OOO GEZE RUS
E-Mail: office-russia@geze.com
www.geze.ru

Scandinavia – Sweden
GEZE Scandinavia AB
E-Mail: sverige.se@geze.com
www.geze.se

Scandinavia – Norway
GEZE Scandinavia AB avd. Norge
E-Mail: norge.se@geze.com
www.geze.no

Scandinavia – Denmark
GEZE Danmark
E-Mail: danmark.se@geze.com
www.geze.dk

Singapore
GEZE (Asia Pacific) Pte, Ltd.
E-Mail: gezesea@geze.com.sg
www.geze.com

South Africa
GEZE South Africa (Pty) Ltd.
E-Mail: info@gezesa.co.za
www.geze.co.za

Switzerland
GEZE Schweiz AG
E-Mail: schweiz.ch@geze.com
www.geze.ch

Turkey
GEZE Kapı ve Pencere Sistemleri
E-Mail: office-turkey@geze.com
www.geze.com

Ukraine
LLC GEZE Ukraine
E-Mail: office-ukraine@geze.com
www.geze.ua

United Arab Emirates/GCC
GEZE Middle East
E-Mail: gezeme@geze.com
www.geze.ae

United Kingdom
GEZE UK Ltd.
E-Mail: info.uk@geze.com
www.geze.com

GEZE GmbH
Reinhold-Vöster-Straße 21–29
71229 Leonberg
Germany

Tel.: 0049 7152 203 0
Fax.: 0049 7152 203 310
www.geze.com

