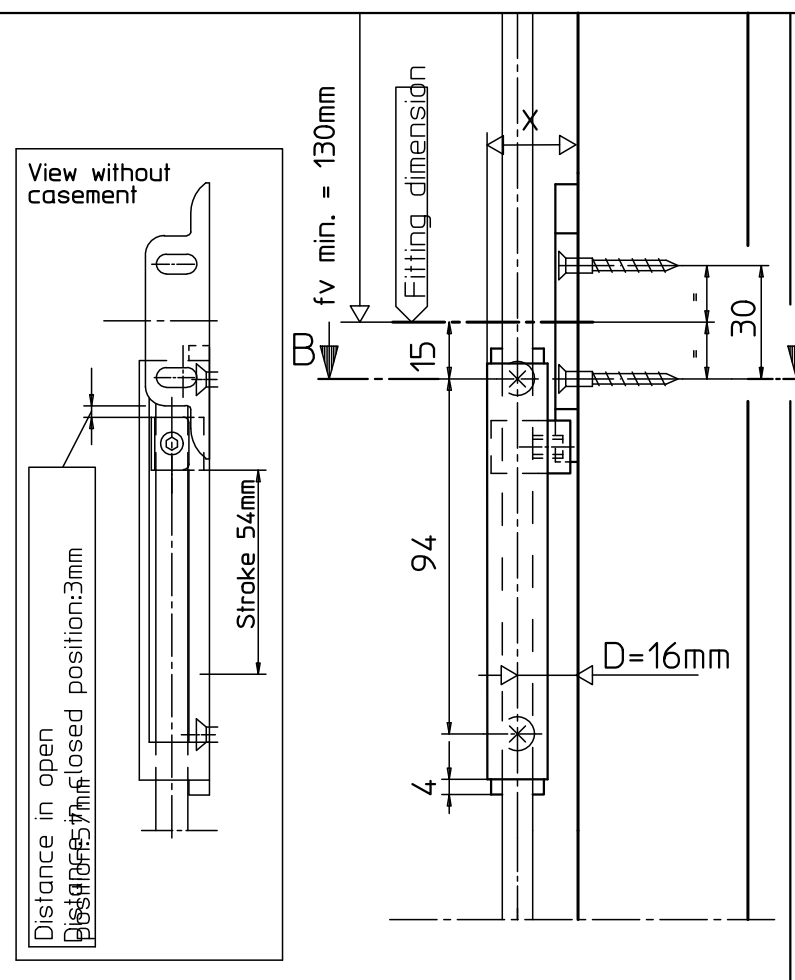
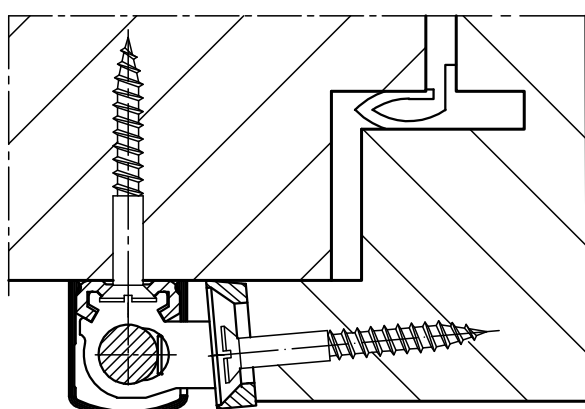
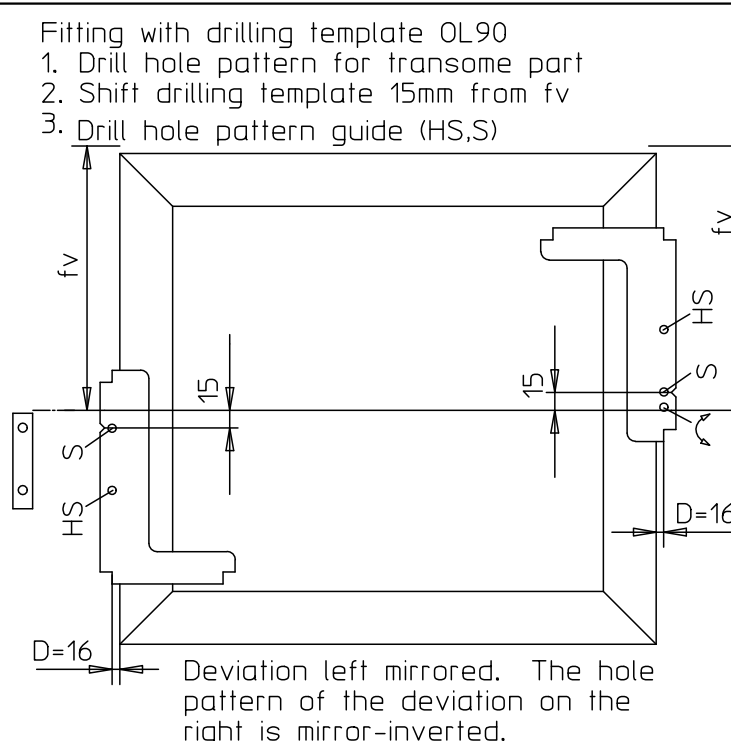


Additional lock OL90N for 14 - 25mm overlap

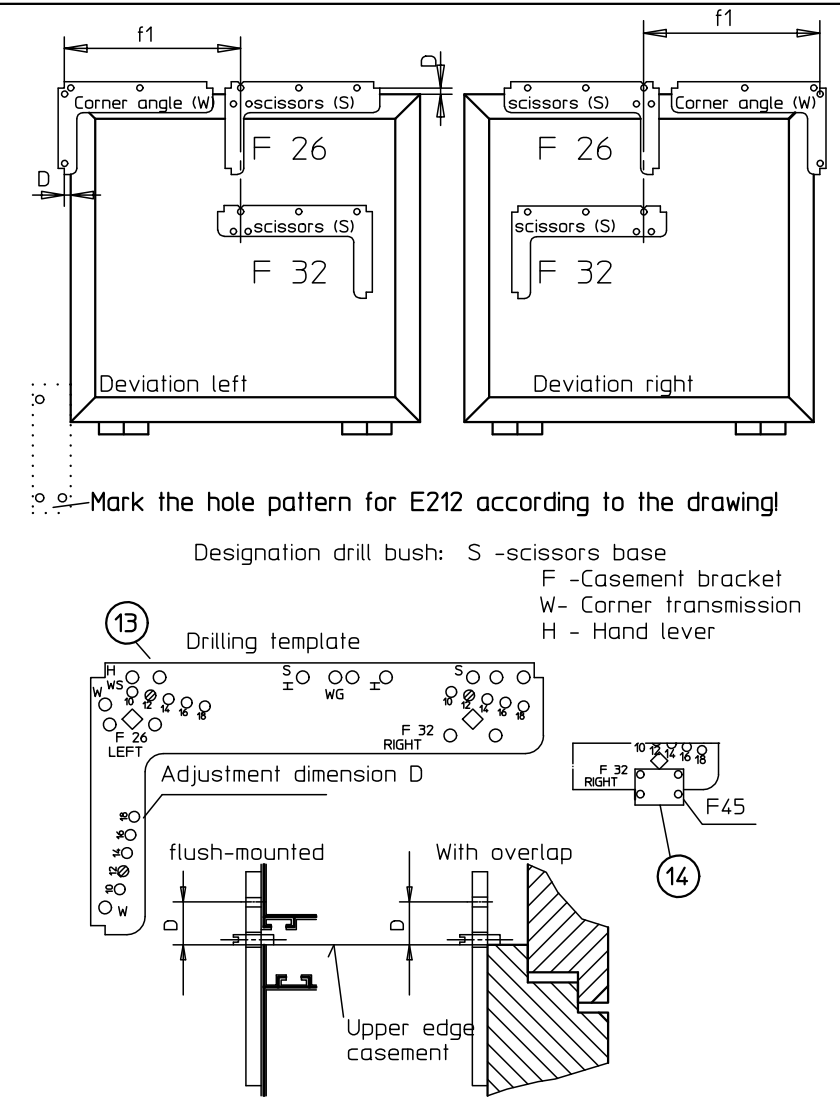
B - B
1 : 1



Drilling template OL90N/OL95 Application for additional locking overlap 14-25mm



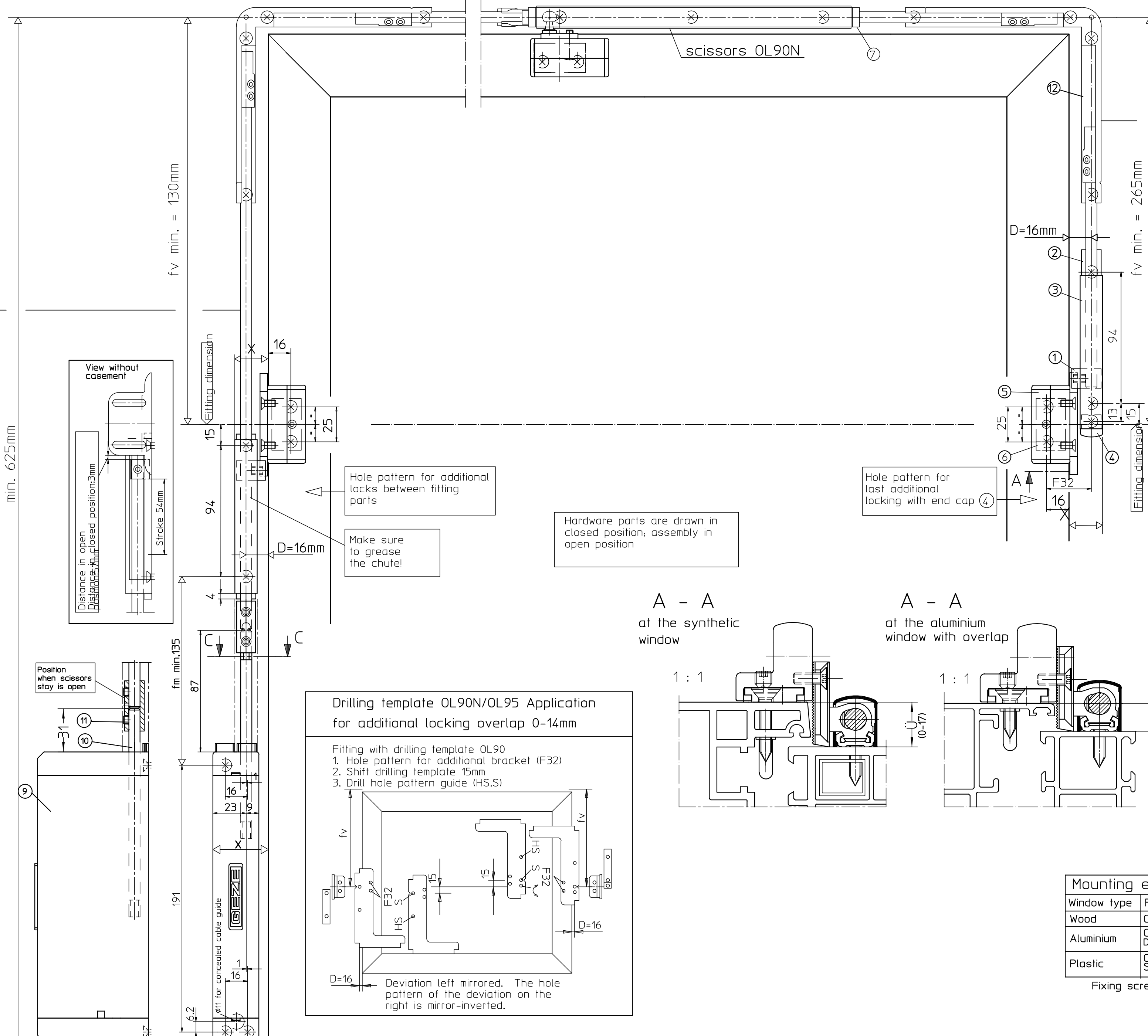
Drilling template for OL90N/OL95



Additional locking OL90N for 0-14 mm overlap

scissors OL90N

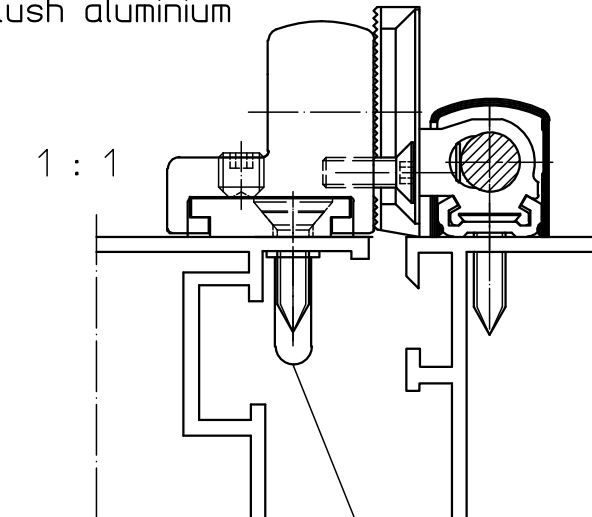
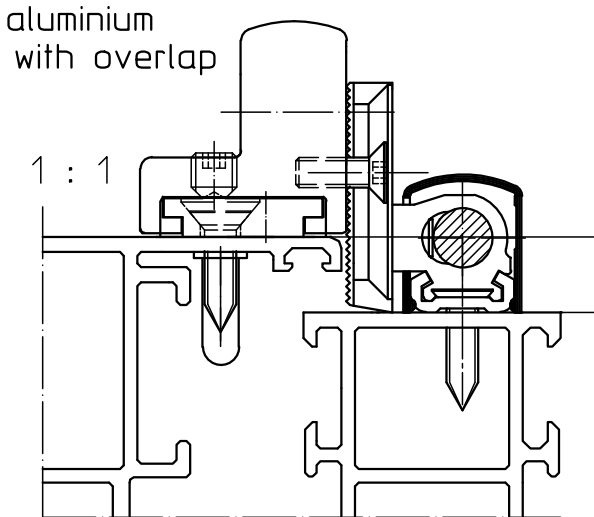
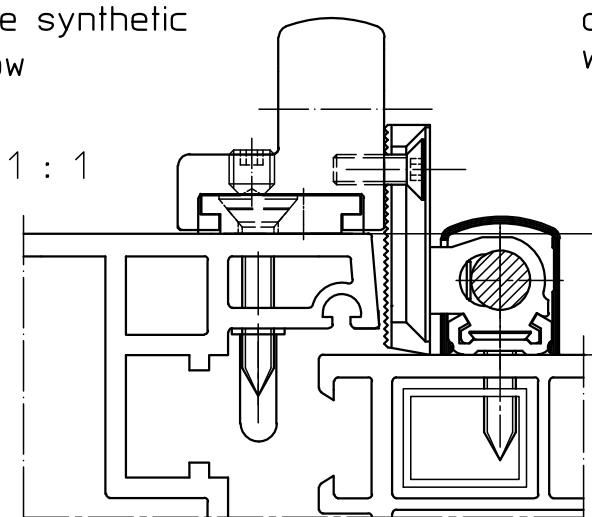
Additional lock OL90N for 14 - 25mm overlap



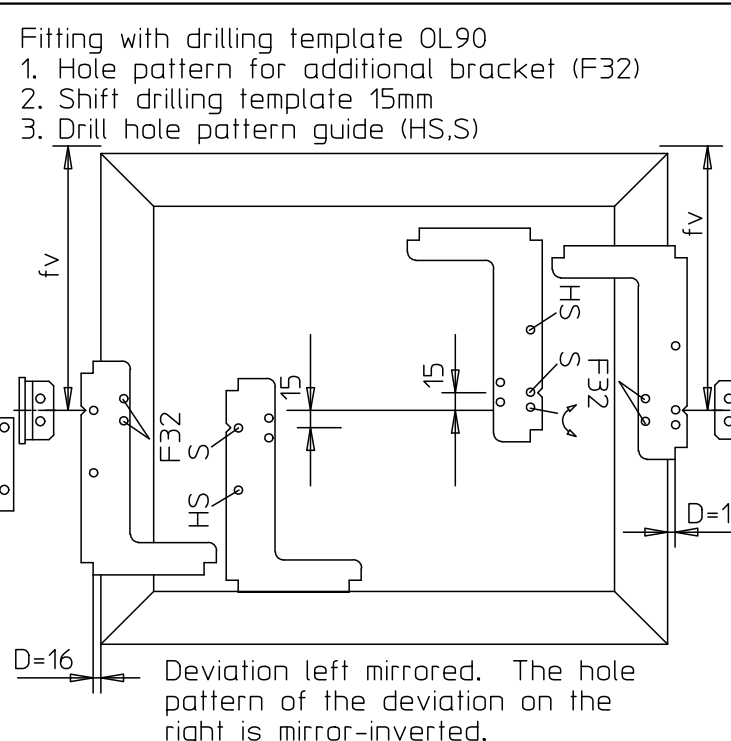
A - A
at the synthetic window

A - A
at the aluminium window with overlap

A - A
at the flush aluminium window



Drilling template OL90N/OL95 Application for additional locking overlap 0-14mm



Technical data

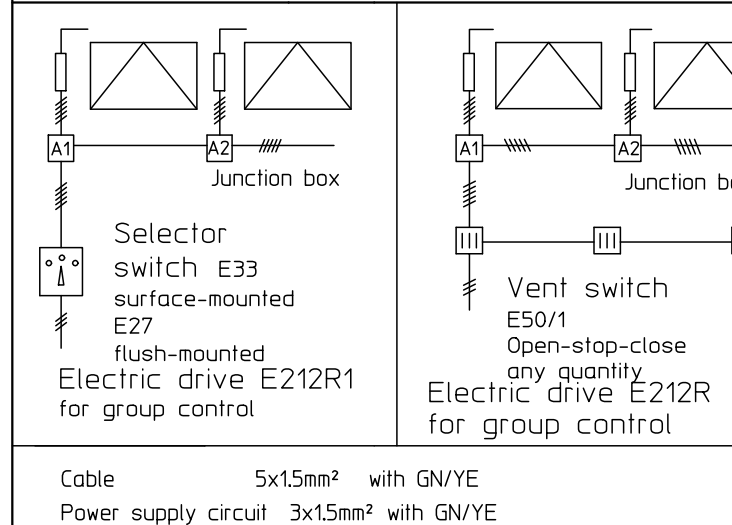
- Opening width approx. 170mm
- Filling stroke 54mm
- max. locking force 15 kg
- Pre-tightening 4mm
- Overlap 4,5mm
- Motor stroke adjustable from 42 to 70mm
- Further technical data of the electric drive see wiring diagram 45109-9-0950 (for E212R) 45109-9-0959 (for E212R1)

Important information:

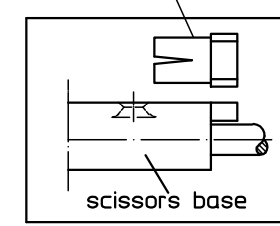
- Installation drawing, wiring diagram, installation instructions, maintenance and operating instructions as well as the guidelines for power-operated windows, doors and gates (ZH1/494) must be observed.
- The specified area of application must be observed.
- The prescribed fitting dimensions must be observed.
- The prescribed mounting elements must be used.
- In order to avoid injuries, protective caps must be turned on projecting threads of the fixing screws. Fittings are drawn in the closed position, but assembly is carried out in the open position.
- All fixing screws must be tightened in the open position with an Allen key SW3 with 5Nm.
- After assembly and before commissioning, the function of tightening all fixing screws must be checked, and all fixing screws must be tightened again.
- The joints and sliding points must be greased with an acid-free grease in accordance with DIN 51825.
- The free accessibility of the fitting parts for greasing and maintenance must be ensured in accordance with DIN 18357.
- If rods and cover profiles from other manufacturers are used, GEZE assumes no warranty and no liability for the resulting damage and consequential damage.
- The use of a suitable safety catch is prescribed for bottom-hung windows (see GEZE gripping and cleaning scissors).
- After reaching the end positions (open and closed) the operating light must extinguish immediately.
- The drive is delivered in open position.

Further installation drawings for GEZE OL90N :
 OL90N with hand lever 40444-EP-001
 Additional sheet - Swivelling hand lever 40444-9-952
 OL90N with electric drive E212 horizontal 40444-EP-003
 OL90N with electric drive E212 vertical 40444-EP-004
 OL90N additional locking 40444-EP-005
 OL90N with gearbox Fz91 and additional lockings 40444-EP-022

Switch requirement



Connection (for cover profile)



Ordering requirement* for 1 window with OL90N and additional locking	Fitting parts (see BOM)										
	A	B	C	D	E	F	G	H	J	K	K+K1
Electric drive E212R1 for group control (see switch requirement)	Aluminum/PVC window	2X	X*	X**				X	2X	X	
Electric drive E212R for group control (see switch requirement)	Aluminum/PVC window	2X			X*	X**	X	2X	X		
Electric drive E212R for group control (see switch requirement)	Wooden window	2X			X*	X**	X	2X	X		

X* - up to 2 scissors per motor
 X** - Group control up to max.6 motors
 * Cover profile and rod must be ordered separately

Name	Ident no. for version:					Pc.
	EV1	white RAL9016	dark bronze	black	RAL...	
A Additional locking OL90N for overlap 0-17mm (1 piece) Content: 1 Sliding part 2 Guide 3 Cover for locking mechanism 4 End cap 5 Additional bracket for transome part 6 Screw plate 7 Connection 8 Protective cap	30519	30523	30520	30522	30522	5
B Additional locking OL90N for overlap 14-25mm (1 piece) Content: 1 Sliding part 2 Guide 3 Cover for locking mechanism 4 End cap 5 Transome part 7 Connection	30524	30528	30525	30527	30527	5
C Electric drive E212R1 for group control Content: E212R/230V AC Connecting rod	20835	20839	20836	20838	20838	3
D Selector switch E33 surface mounting Open-stop-close Selector switch E27 flush mounting Open-stop-close			48941		48942	
E Electric drive E212R for group control Content: E212R/230V AC Connecting rod	05428	15435	05429	06683	06683	3
F Vent switch E50/1 Open-stop-close Surface and flush mounting			06575			
G Rod coupling OL90			43546			
H Corner transmission for rectangular windows			70546			4
J Scissors OL90N	30373	30377	30374	74509	30376	6
K Scissors OL90N without casement bracket for wooden windows Casement bracket for wooden windows, Euro-groove	71203	71207	71204	99477	71206	4
K1 Casement bracket for wooden windows, Euro-groove	30886	30890	30887	99475	30889	2
Rods and cover profiles						
Cover profile L=2m *	30401	30405	30402	74537	30404	
Cover profile L=3m *	30396	30400	30397	74539	30399	
Cover profile L=6m	27558	27561	27559	74540		
Rod Ø8 galvanised L=2m			16555			
Rod Ø8 galvanised L=3m			16591			
Rod Ø8 galvanised L=6m			16592			
Accessories (must be ordered separately)						
Drilling template OL90N/OL95 for wooden windows F=45		for wood 54799 yellow		for plastic/metal 54800 blue		
Additional drilling template OL90N for wooden windows F=45			28141			
10 Rod guide			10878			teach

Mounting elements

Window type	Fixing screws	DrillØ
Wood	Countersunk wood screws 4x35 DIN 97 o.DIN 7997	2.5mm
Aluminium	Countersunk self-tapping screws 4.2xL DIN7972 or DIN7982 Screw must go through min.1.8mm profile wall	3.5mm
Plastic	Countersunk self tapping screws 4.2xL DIN7972 orDIN7982 Screw must go through min.2 profile walls	3.5mm

Fixing screws are not included in the delivery.

Area of application

only for vertically installed rectangular windows with bottom-hung or top-hung casement inward opening only for dry rooms
 Additional locking can be fitted with the right and with left deviation
 a = Casement width min. 580mm (only for rectangular windows)
 b = Casement height from 600mm
 Total casement weight max. 80kg max. panel weight :

Casement width a	Panel weight
up to 900mm	max. 50 kg/m ²
up to 1200mm	max. 40 kg/m ²
up to 1600mm	max. 30 kg/m ²
up to 1900mm	max. 25 kg/m ²
up to 2400mm	max. 20 kg/m ²

i = Distance of the casement centre of gravity
 Ü = Overlap height 0-25mm
 D = Outer edge of casement to centre of link arm (see table)
 X = Side clearance (see table)
 Y = Upper clearance (see table)

Casement height b	D-dimension top	Clearance Y top
from 600mm	10 to 18mm	D + 9mm

Deviation	D-dimension side	Side clearance X
E212 R1/R	6mm	39mm

if the permissible casement width is not overlapped, up to 2 scissors may be mounted

Casement width a	f-dimensions	Lengths of rods (LQ,LZ) and cover profiles (LA) (cover profiles with cover cap or mitre cut)
580- 845	f1=a-406 f4=338	1 scissors LA1=f1-9 LA1=f1-25 LA2=f4-201,5 LA2=f4-217,5
845-1200	f1=a/2+16 f4=f1	2 scissors LA5=fv+19 LA5=fv+3 LA6=fm-32 LA6=fm-30 LA7=fv-99 LA7=fv-15 LA7=fv-26,5 LA7=fv-32,3 LQ=f1+f4-144 LQ=f1+f4-144 a = min.580 D=16
(from a=1000 also 2 scissors possible)		
1000-1270	f1=a-810 f2=410 f4=438	2 scissors LA1=f1-9 LA1=f1-25 LA3=f2-225 LA2=f4-201,5 LA2=f4-217,5
1270-2400	f1=a/3+16 f2=a/3 f4=a/3+16	2 scissors LA1=f1-9 LA1=f1-25 LA3=f2-225 LA2=f4-201,5 LA2=f4-217,5 LQ=f1+f2+f4-144 LQ=f1+f2+f4-144 a = min.1000 D=16

Papierausdrucke dieser Zeichnung unterliegen nicht dem Änderungsdienst
 Printed drawings are not revision controlled

ENPB = Erstmusterprüfbericht / initial sample test report

GEZE GmbH
 P.O. Box 13 63
 7026 Leoberg
 Germany

OL 90 N with E 212 and additional additional sheet for 40444-EP-004

vertraulich / confidential

erstellt / drawn 11.02.20 u1270
 Fig. Prod./Rel. Prod. 18.02.20 tbf1

Blatt / von sheet / of 2 / 2
 Maßstab / scale 1:1

Zachungs-Nr. / document-no. 40444-EP-021

Fig. Prod./Rel. Prod. 04 11.02.20 u1270 26.42

Alle Zeichnungen sind die Eigentumsrechte der GEZE GmbH. Nachdruck, Verbreitung oder Kopie ohne schriftliche Genehmigung ist ausdrücklich untersagt. Die GEZE GmbH übernimmt keine Haftung für Schäden, die aus dem Gebrauch der Zeichnungen resultieren. Die Zeichnungen sind als Hilfsmittel zu verstehen und ersetzen nicht die Anweisungen der GEZE GmbH. Die Zeichnungen sind als Hilfsmittel zu verstehen und ersetzen nicht die Anweisungen der GEZE GmbH. Die Zeichnungen sind als Hilfsmittel zu verstehen und ersetzen nicht die Anweisungen der GEZE GmbH.