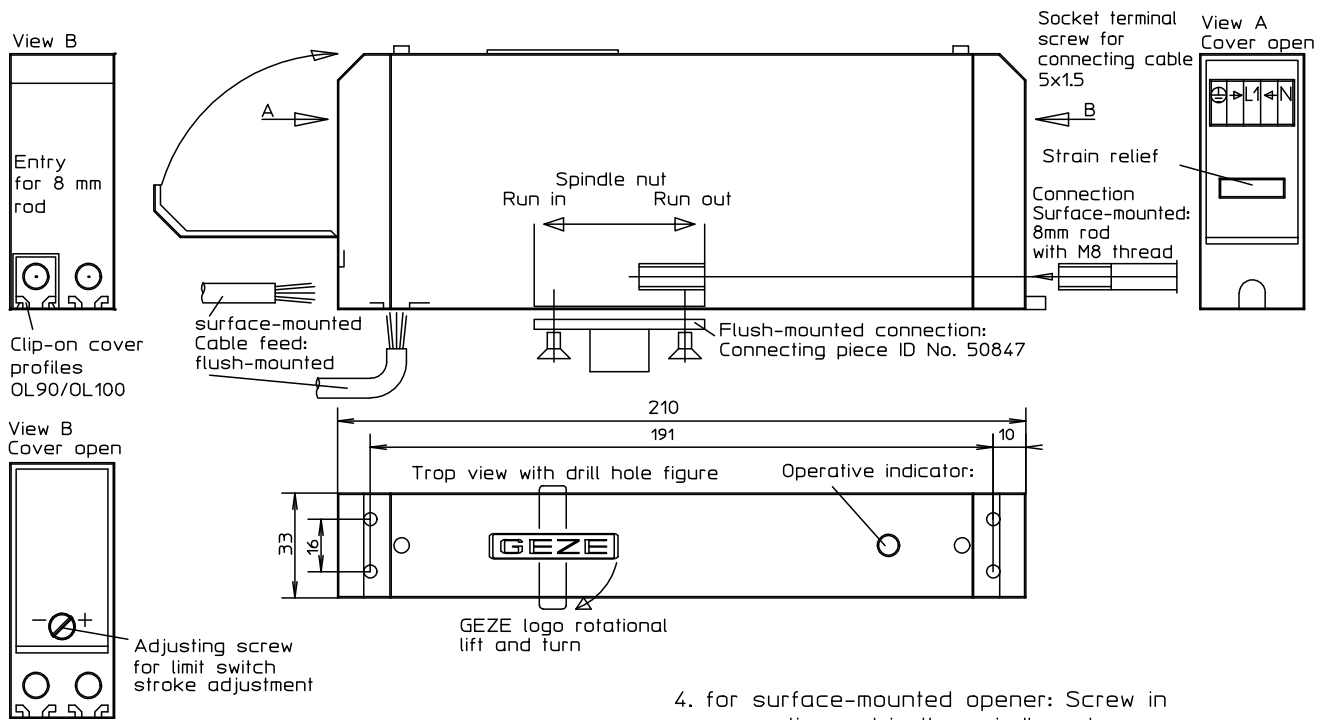


This drawing shows the actual state of product development at the date of the drawing or the revision date. No claims or damages in any form can be made against GEZE as a result of the application of this drawing. Its drawing, release, the preparation, application or use of this drawing is the responsibility of the contractor of the installation. All rights reserved. This drawing remains the property of GEZE. This drawing may not be copied or handed over to third parties without the express consent of GEZE.



Mechanical and electrical data:

Stroke max. 66mm -Adjusted to 52mm
 Spindle nut run-in.
 Operating time for 52mm stroke approx. 30 sec under load
 Protection type : IP52
 - only for dry rooms -
 Operational voltage : 230V AC
 Current consumption : 0,4A
 Power consumption : 90VA
 Short-time operation : ED 25%
 Temperature range : -20 to +70
 Tensile and pressure force : 1400N -10%
 Group control : max. 6 motors

Order No.:	Electric drive E212R/230V AC
EV1	ID No. 05428
dark bronze	ID No. 05429
white 9010	ID No. 05430
acc. RAL	ID No. 06683
white 9016	ID No. 15435

Conn. piece f.fl.-mounted opener : ID No. 50847
 Rod coupler for OL90 : ID No. 43546
 Rod coupler E212 for OL100 : ID No. 08800

Assembly:

Please ensure that you have an E212R (for group control).

1. Open side pieces.
 2. for flush-mounted opener: Assemble connecting part. -see corresp. installation diagram-
 3. Fasten electric drive.
- Usable screw types:
 Countersunk wood screw 4 or 4.5x35 DIN97 or 7997
 Countersunk tapping screw 4.2 or 4.8xL
 DIN7972 or 7982
 Countersunk screw M5x12 DIN963 or 965
 Select correct length so that the occurring forces are securely relayed.

4. for surface-mounted opener: Screw in connecting rod in the spindle nut (with M8 thread).
5. Turn GEZE logo if necessary. Lift up slightly, turn and press down.
6. Adjust stroke if necessary.

Stroke adjustment:

Adjusting screw - see View B - cover open
 Towards "+" = increase stroke ("- reduce)
 2mm stroke adjustment of spindle nut corresponds to 2.5 rotations of the limit switch setting.

The stroke is set to 52mm ex works.
 The stroke must be **CHECKED** for corresponding mounting stroke and adjusted as necessary.
 Adjustment value = mounting stroke minus 2 mm.
 e.g.: OL90 with 54mm stroke = stroke for electric drive 52mm.

When adjusting the limit switch, it is important that it switches off correctly: Lamp is extinguished. If not, then the thermal switch reacts and the operative indicator does not extinguish.

The adjustment must be checked and ensured by a test run.

Use adjusting device ID No. 54371.

Maintenance: The motor must be fitted in an accessible position and lubricated again depending on the load.

Protect the electric drive from construction dirt and spurts of water.

For electrical connection, see reverse side

Diese Zeichnung entspricht dem Entwicklungsstand des Zeichnungsgehaltens. In keinem Fall ist eine Haftung für Schäden oder Schäden an der Sache zu erwarten. Die Zeichnung bleibt unser Eigentum und ist Dritten nur für die vorliegende Verwendung überlassen. Die GEZE-Zugabe zur Verfügung stehende Zustimmung von GEZE darf diese Zeichnung weder vervielfältigt noch Dritten zugänglich gemacht werden.

				GEZE GmbH P.O. Box 13 63 71226 Leonberg Germany		Benennung / designation	
				vertraulich / confidential		Connetion diagramm electric drive E212R/230V AC for group control	
				Datum / date	Name / name	Blatt / von sheet / of	Material-Nr. ID-no.
				erstellt / drawn	08.04.2008	tbe7	1/2
				gepr. / checked	08.04.2008	tbe4	Maßstab scale
10	08.04.2008	tbe7	48201			1:1	
09	28.06.2007	tbe7	48031	Ersatz für: subst. for:		Sprache / language	
08	08.09.2004	tbe7	47186	Ersetzt durch: subst. with:		Zeichnungs-Nr. / document-no.	
EMPB	Dokversion doc.version	Datum date	Name name	Mitteilungs-Nr. Doc. change no.			
						GB 	
						45109-9-0950	

This drawing shows the actual state of product development of the ventilator. It is not a technical drawing. GEZE does not accept any liability for damages in any form caused by the use of this drawing. The drawing remains the property of GEZE and is made available to third parties only for the duration of the project. The drawing may not be copied or handed over to third parties without the express consent of GEZE.

EMPB = Erstmusterprüfbericht / First sample test report

Diese Zeichnung entspricht dem Entwicklungsstand des Zeichnungsdatums bzw. der letzten Änderungseintragung. Aus der Benutzung der Zeichnung können keine Ansprüche geltend gemacht werden. GEZE übernimmt keine Haftung für die Verwendung der Zeichnung durch Dritte. Die Zeichnung bleibt unser Eigentum und ist Dritten ge-nehmigt. Die Zeichnung ist ausschließlich für die Verwendung durch den Auftraggeber bestimmt. Die Zeichnung ist Eigentum von GEZE und darf nicht weitervertrieben, noch Dritten zugänglich gemacht werden.

Attention!
 Observe the pertinent installation requirements, do not place cords under plaster!
 Junction boxes (A1, A2) must be accessible.

Mains feeder connection:
 Open side piece and remove socket terminal screw.
 Connect: Screw in rigid 5mm stripped wires.
 Disconnect: Unscrew wires.
 Insert socket terminal screw in electric drive, connect strain relief and close the cover.

Use GEZE adjusting device ID No. 54371 for start-up.



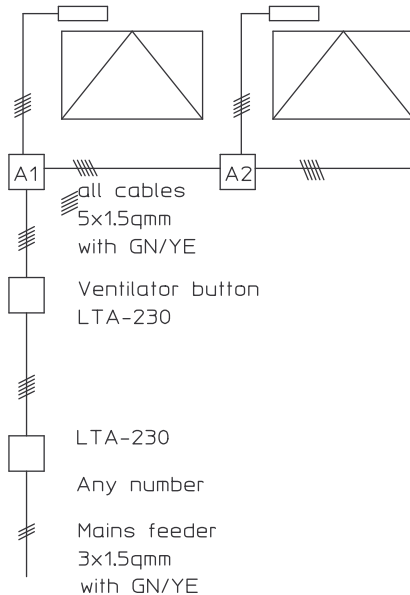
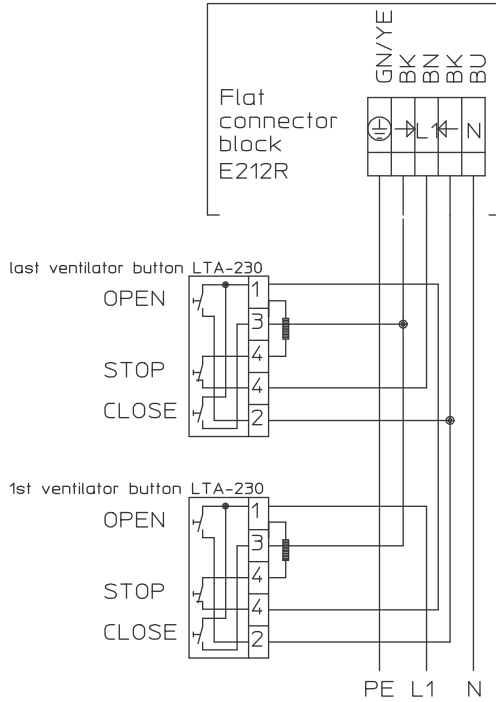
The motor will switch off if the limit switch is adjusted incorrectly or if the system is blocked (autom. thermal protective switch)

Eliminate source of error.

The motor is ready for operation after it has cooled off.



Only use the buttons to operate the motor.
 Do not use any switches or continuous signals for OPEN/CLOSE (max. signal duration = 3 min)



To connect smoke switch, see connection diagram 45014-9-0954

Wire colours:
 BN = brown
 BK = black
 BU = blue
 GN/YE = green/yellow

We will not assume guarantee and services for combinations with outside products.

Laying lines and connections only by authorised electric company.

Information for the electrician:
 This diagram must be fixed to the device.

GEZE GmbH P.O. Box 13 63 71226 Leonberg Germany					Benennung / designation	
					<h1>Connexion diagramm</h1> <p>electric drive E212R/230V AC for group control</p>	
vertraulich / confidential					Blatt / von sheet / of 2/2	
erstellt / drawn			Datum / date		Material-Nr. ID-no.	
gepr. / checked			Name / name		Maßstab scale	
10	08.04.2008	tbe7	48201	08.04.2008	tbe7	1:1
09	28.06.2007	tbe7	48031	08.04.2008	tbe4	Sprache / language GB
08	08.09.2004	tbe7	47186	Ersatz für: subst. for:		
EMPB Dok.version doc.version					Ersetzt durch: subst. with:	
Datum date						
Name name						
Mitteilungs-Nr. Doc. change no.						