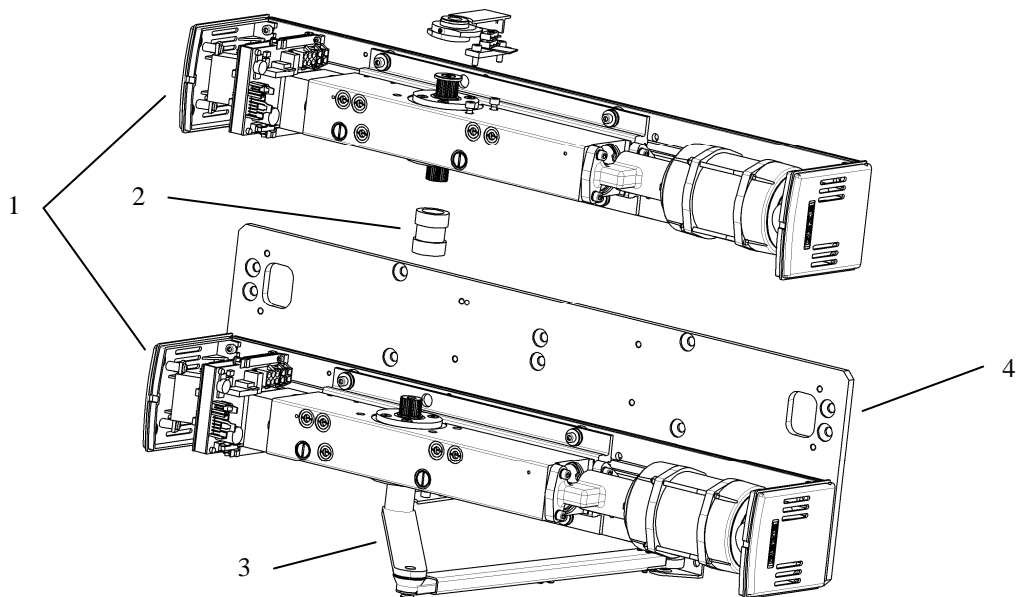
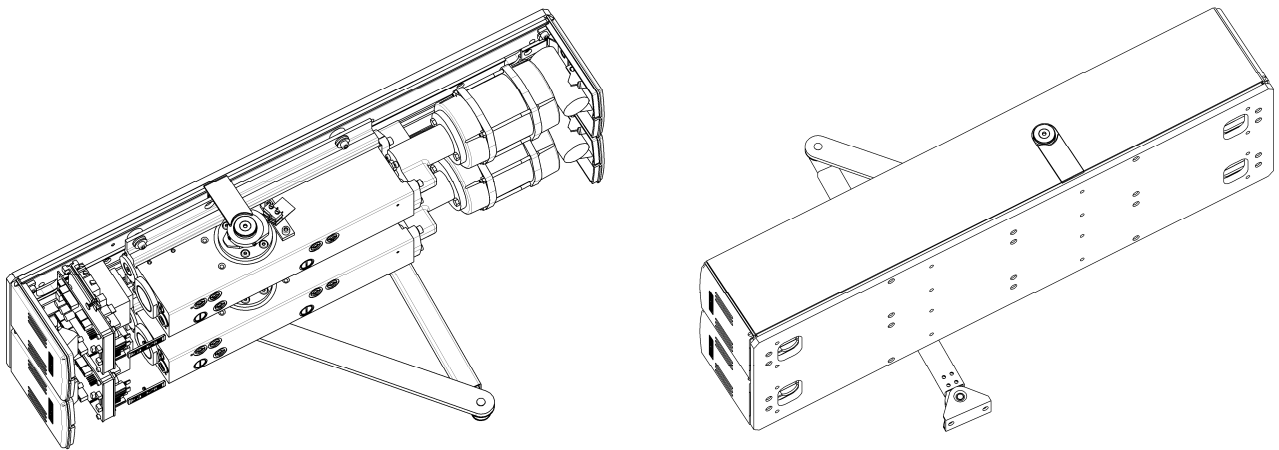
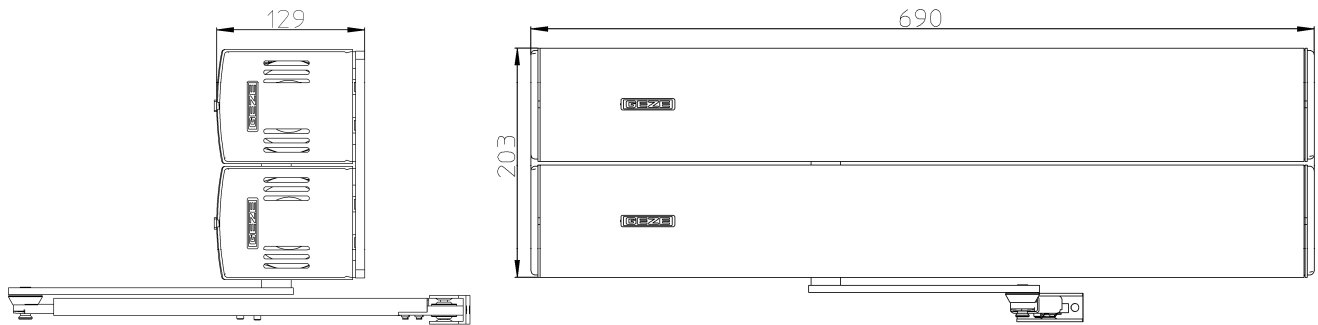


**Additional Installation Instructions TSA160 NT EN3-6 Tandem (additionally to the installation instructions of the TSA 160):**

**Space needed / Assembly / Install**



1. TSA160 NT EN3-6 (1x Master und 1x Slave)
2. joining piece Tandem
3. reinforced linkage
4. mounting plate Tandem

Adjusting the drive:

Before adjusting the speeds and the damping at the TSA 160 NT Tandem the control valves on both drives must be adjusted identically.

For that follow following procedure:  
(the below table can be used)

Below drive:

1. Turn Valve 1,2,4,5 till closed position
2. Open Valve 1,2,4,5 to delivered position

Upper drive:

3. Turn Valve 1,2,4,5 till closed position
4. Adjust the Valves to the same position as on 2. of the below drive

Valve No.	Below drive		Upper drive	
	X Rotations Closed	X Rotations Open	X Rotations Closed	X Rotations As below drive
1				
2				
4				
5				

The setting of the speed and the damping at the specific valves must be done evenly on both drives.

This concerns also the setting of the spring force.

For example if ÖD has been moved ½ Rotations than ÖD must be changed the same way at the below drive.

**Range of use:**

