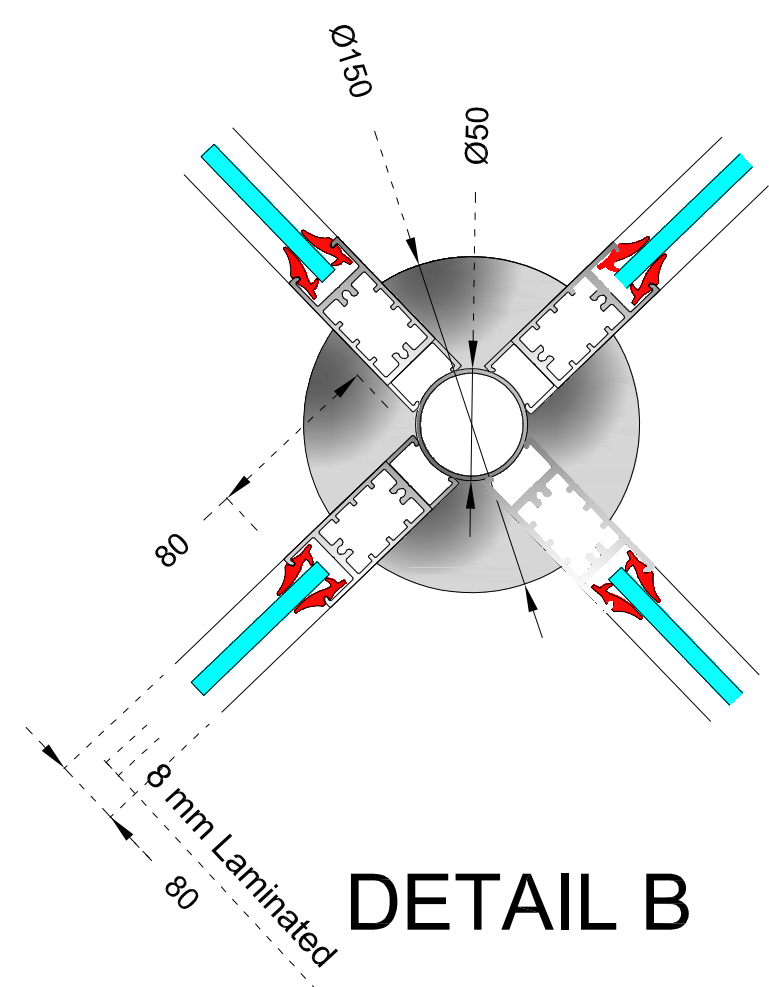
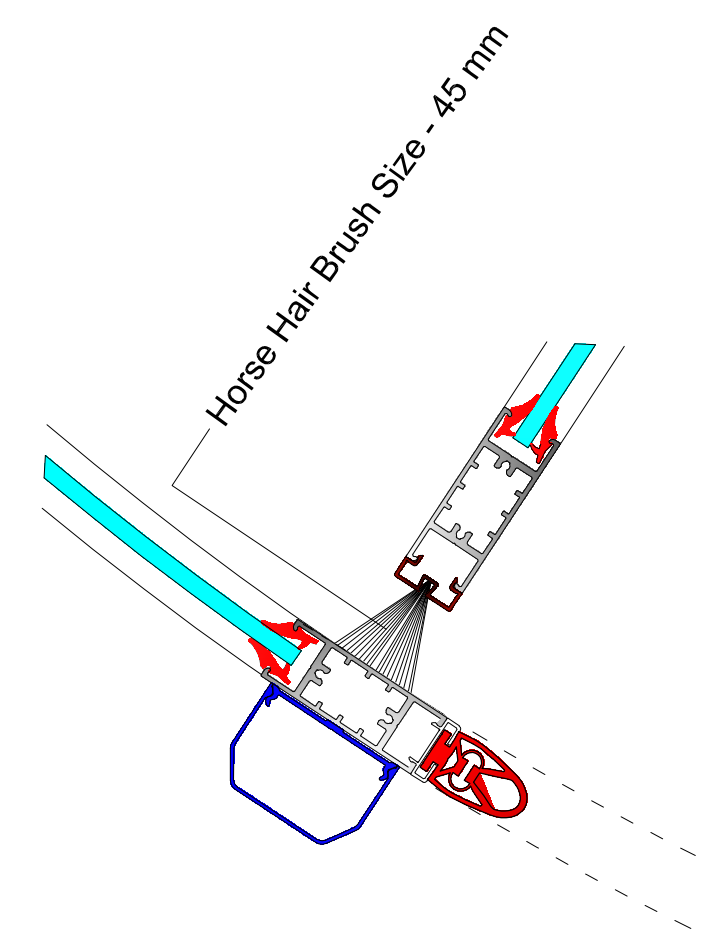
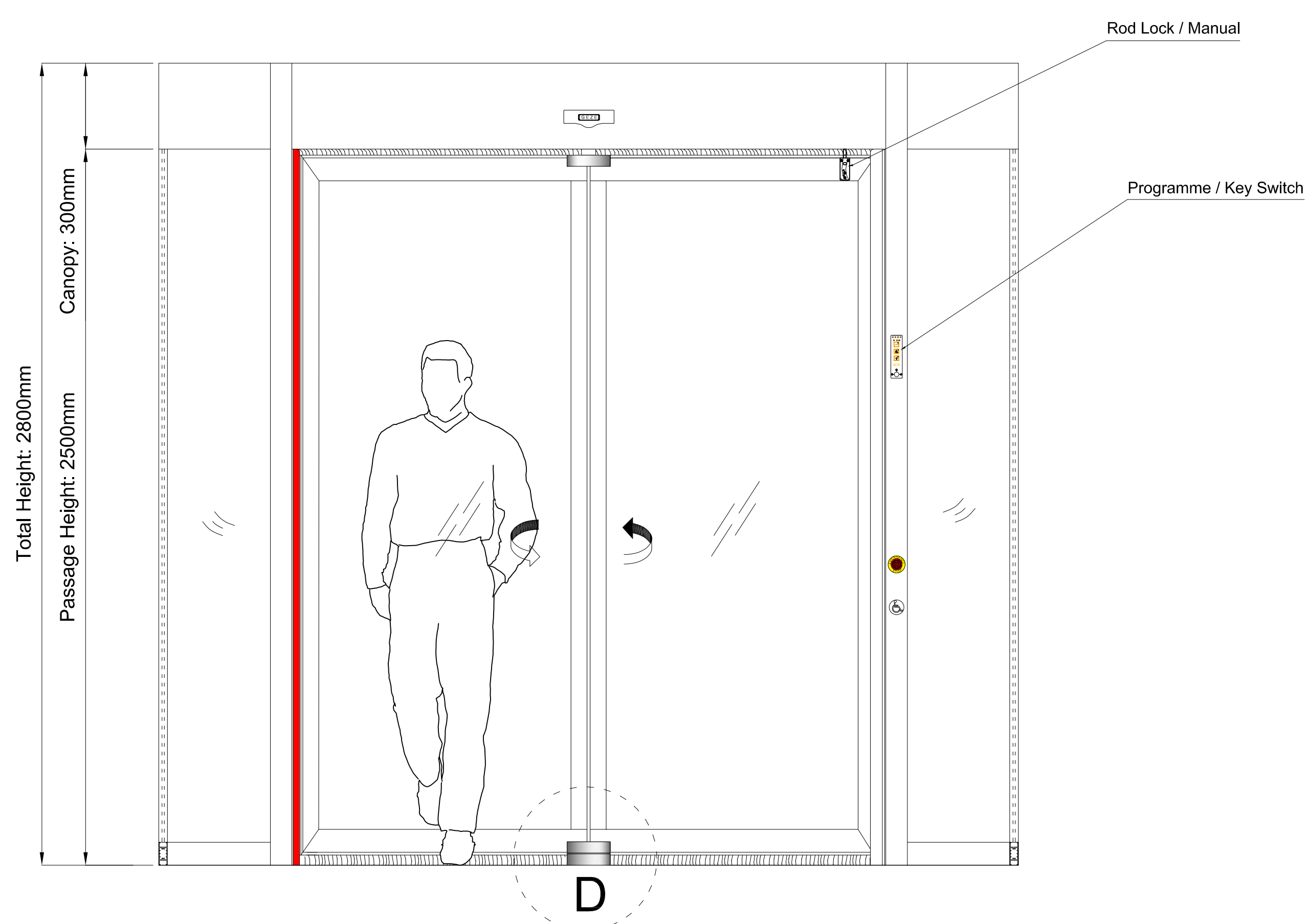


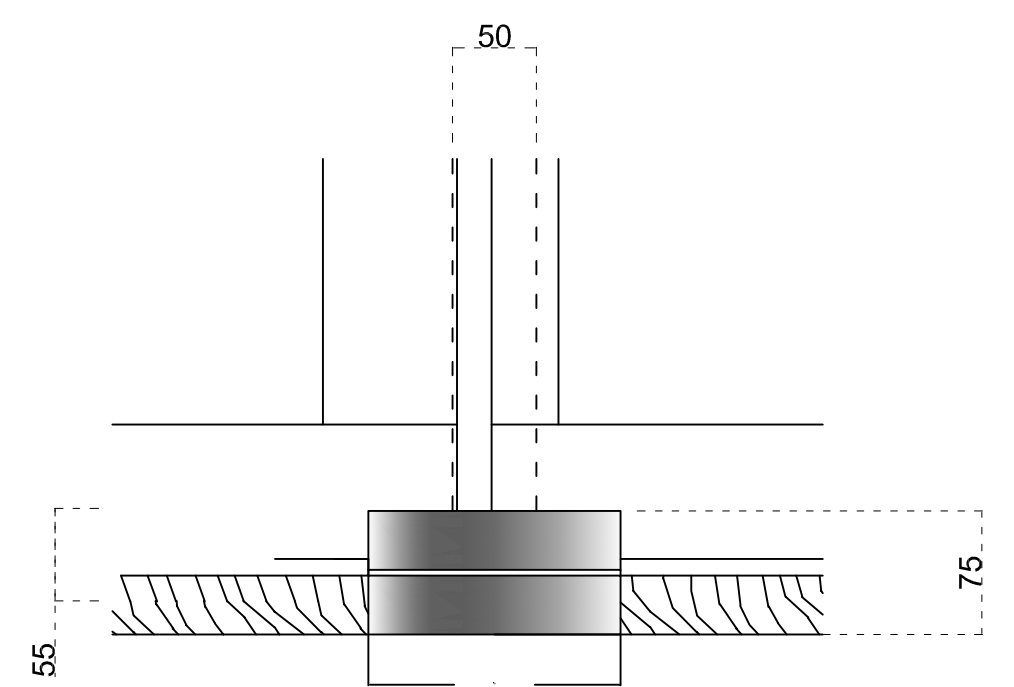
DETAIL A




DETAIL B



DETAIL C



DETAIL D

Object OBJEKT				customer MR.MUSTERMANN
name	date	scale	surface / colour	drawing-name / door-type REFERENCEDRAWING
dsp.:	27.06.2019			TSA 355 A4
pr.:				commission
 GEZE GmbH				